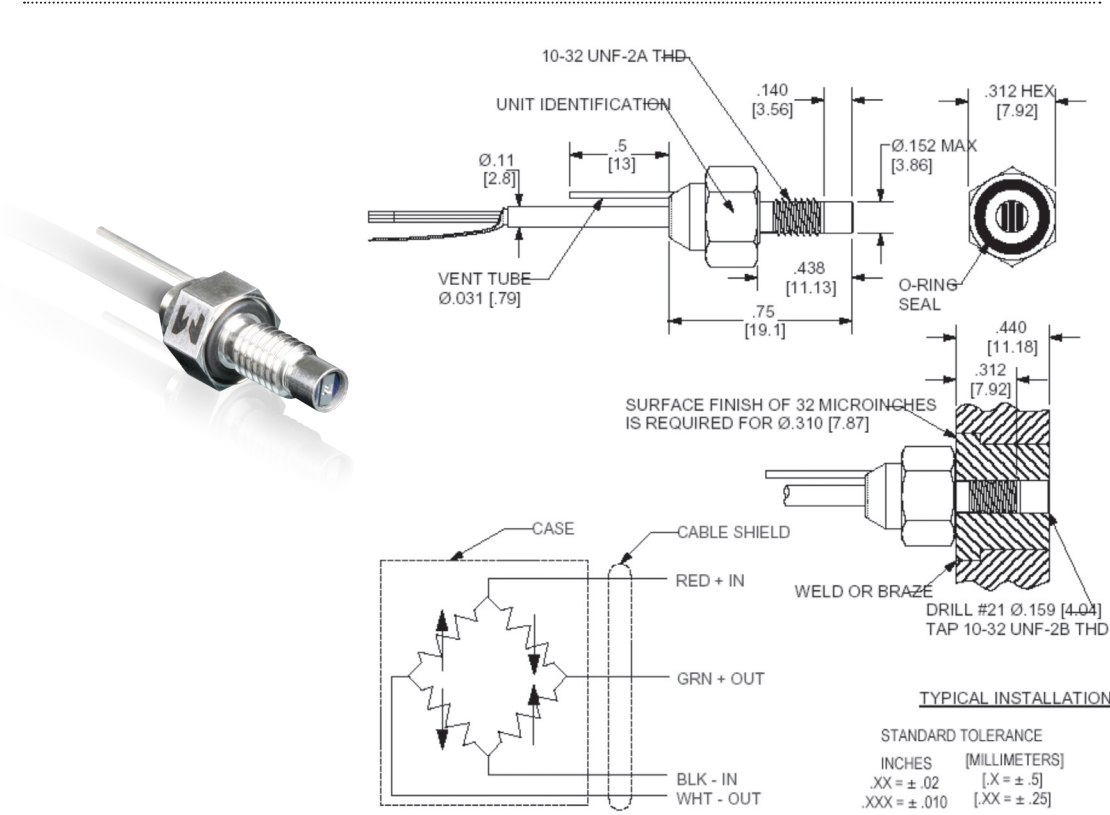


# Piezoresistive pressure transducer

## Model 8510B -200, -500, -2000



### Key features

- 200, 500, 2000 psig ranges
- 300mV full scale output
- Rugged, miniature
- Gage

Model 8510B is a rugged, miniature, high sensitivity piezoresistive pressure transducer. It has a 10-32 mounting thread, 0.15 inch (3.8 mm) face diameter and is available in ranges from 1 psi to 2000 psi. High pressure ranges are shown on this sheet. Its high sensitivity combined with high resonance makes it ideal for measuring dynamic pressure.

Endevco pressure transducers feature a four-active arm strain gage bridge diffused into a unique sculptured silicon diaphragm for maximum sensitivity and wideband frequency response. Self-contained hybrid temperature compensation provides stable performance over the temperature range of 0°F to 200°F (-18°C to +93°C). Endevco transducers also feature excellent linearity (even to 3X range), high shock resistance, and negligible sensitivity to temperature transients.

8510B is designed for a wide variety of aerospace, automotive and industrial measurements which require a combination of small size, high sensitivity, and wideband frequency response. Its vent tube may be connected to a standard reference manifold or used for differential pressure measurements.

Recommended electronics for signal conditioning and power supply are ultra low noise 4430A conditioner, or the 4990A-X (Oasis) multi-channel rack mount system.

# Piezoresistive pressure transducer

## Model 8510B -200, -500, -2000

### Specifications

The following performance specifications conform to ISA-RP-37.2 [1964] and are typical values, referenced at +75°F (+24°C) and 100 Hz, unless otherwise noted. Calibration data, traceable to National Institute of Standards and Technology (NIST), is supplied.

<b>Dynamic characteristics</b>	<b>Units</b>	<b>-200</b>	<b>-500</b>	<b>-2000</b>
Range [1]	psig	0-200	0-500	0-2000
Positive sensitivity [2]	mV/psi	1.5 ±0.5	0.6 ±0.2	0.15 ±0.05
Combined: non-linearity, non-repeatability, pressure hysteresis [3]	% FSO RSS max	0.50	0.50	1.0
Non-linearity, independent	% FSO typ	0.25	0.25	0.25
Non-repeatability	% FSO typ	0.1	0.1	0.2
Pressure hysteresis	% FSO typ	0.1	0.1	0.2
Zero measurand output [4]	mV max	±10	±10	±10
Zero shift after 3X range	±% 3X FSO max	0.2	0.2	0.2
Thermal zero shift				
from 0°F to +200°F [-18°C to +93°C]	±% FSO max	3	3	3
Thermal sensitivity shift				
from 0°F and +200°F [-18°C to +93°C]	±% max	4	4	4
Resonance frequency	Hz	320 000	500 000	900 000
Non-linearity at 3X range	% 3X FSO	1	1	1
Thermal transient response per	psi/°F	0.01	0.01	0.16
ISA-S37.10, para. 6.7, procedure I	psi/°C	0.02	0.02	0.30
Photoflash response [5]	Equiv. psi	28	70	1300
Warm-up time [6]	ms	1	1	1
Acceleration sensitivity	Equiv. psi/g	0.0003	0.0004	0.00027
Burst pressure (diaphragm/reference side) [7]	psi min	1000/300	2500/300	10 000/300
<b>Electrical</b>				
Full scale output	300 ±100 mV at 10.0 Vdc			
Supply voltage [8]	10.0 Vdc standard, 18.0 Vdc maximum			
Electrical configuration	Active four-arm piezoresistive bridge			
Polarity	Positive output for increasing pressure into (+) port (end with screen on it)			
Resistance				
Input	2000 ±800 ohms			
Output	1600 ±600 ohms			
Isolation	100 megohms minimum at 50 volts; leads to case, leads to shield, shield to case			
Noise	5 microvolts rms typical, dc to 50 000 Hz; 50 microvolts rms maximum, dc to 50 000 Hz			
<b>Mechanical</b>				
Case material	Stainless steel (17-4 PH CRES)			
Cable, integral	4 conductor No. 32 AWG Teflon® insulated leads, braided shield, silicone jacket, 30 ±3 in (760 ±76 mm)			
Dead volume (+) port	0.0003 cubic inches (0.005 cc)			
Mounting torque	10-32 UNF-2A threaded case 0.438 inch (11.12 mm) long/15 ±5 lbf-in (1.7 ±0.6 Nm)			
Weight	2.3 grams (cable weighs 9 grams/meter)			
<b>Environmental characteristics</b>				
Temperature [9] [10]	-65°F to +250°F (-54°C to +121°C)			
Vibration	1000 g pk			
Acceleration	1000 g			
Shock	20 000 g, 100 microsecond haversine pulse			
Humidity	Isolation resistance greater than 100 megohms at 50 volts when tested per MIL-STD-202E, method 103B, test condition B			

### Calibration data supplied

Data supplied for all parameters in Certified Performance section. Optional calibrations available for all parameters in Typical Performance section.

# Piezoresistive pressure transducer

## Model 8510B -200, -500, -2000

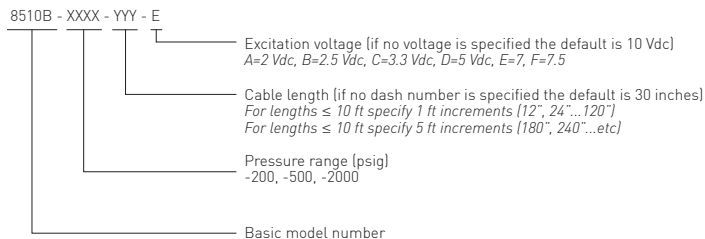
### Accessories

Product	Description	8510B
EHR93	O-ring, Viton	Included
EHR96	O-ring, fluorosilicone	Optional
24328-3	4 conductor shielded cable, white	Optional

### Notes

- Pressure ranges can be considered bidirectional, e.g., an 8510B-200 can be used to measure + or -200 psig. Sensitivity in the positive direction is typically within 1% of sensitivity in the negative direction. Sensitivity calibration provided with each unit is for the positive direction.
- 1 psi = 6.895 kPa = 0.069 bar.
- FSO (Full Scale Output) is defined as transducer output from 0 to full scale pressure, which is nominally 300 mV.
- Zero Measurand Output (ZMO) is the transducer output with 0 psig applied.
- Per ISA-S37.10, Para. 6.7, Proc. II. The metal screen partially shields the silicon diaphragm from incident radiation. Accordingly, light incident at acute angles to the screen generally increases the error by a factor of 2 or 3.
- Warm-up time is defined as elapsed time from excitation voltage "turn on" until the transducer output is within  $\pm 1\%$  of reading accuracy.
- Reference side pressure may be 300 psi on all ranges if differential limits (psid) are not exceeded.
- Please specify the excitation voltage you will use and we will calibrate at that voltage for highest accuracy. See model definition.
- Internal seals are epoxy and are compatible with clean dry gas media. Media in (+) measurand port is exposed to CRES, nickel-iron alloy, Parylene C, epoxy, and the Viton® O-ring media in (-) measurand port is exposed to the above and RTV silicone coating. For use in water or corrosive media, contact the factory for modifications and installation precautions which may be taken to extend service life.
- O-Ring, Endevco part number EHR93 Viton®, is supplied unless otherwise specified on Purchase Order. Part number EHR96, Parker material L677-70, for leak tight operation below 0°F (-18°C) is available on special order.
- Maintain high levels of precision and accuracy using Endevco's factory calibration services. Call Endevco's inside sales force at 866-ENDEVCO for recommended intervals, pricing and turn-around time for these services as well as for quotations on our standard products.

### Model definition



### Other options

- M1 No vent tube
- M5 Metric thread
- M7 No screen
- M8 "A" screen, black grease - ITAR
- M11 "B" screen
- M37 Integral connector, no vent tube, hole on side
- M41 Gel
- M43 "B" screen, black grease - ITAR

### Contact

#### ENDEVCO

www.endevco.com

Tel: +1 (866) ENDEVCO

[+1 (866) 363-3826]