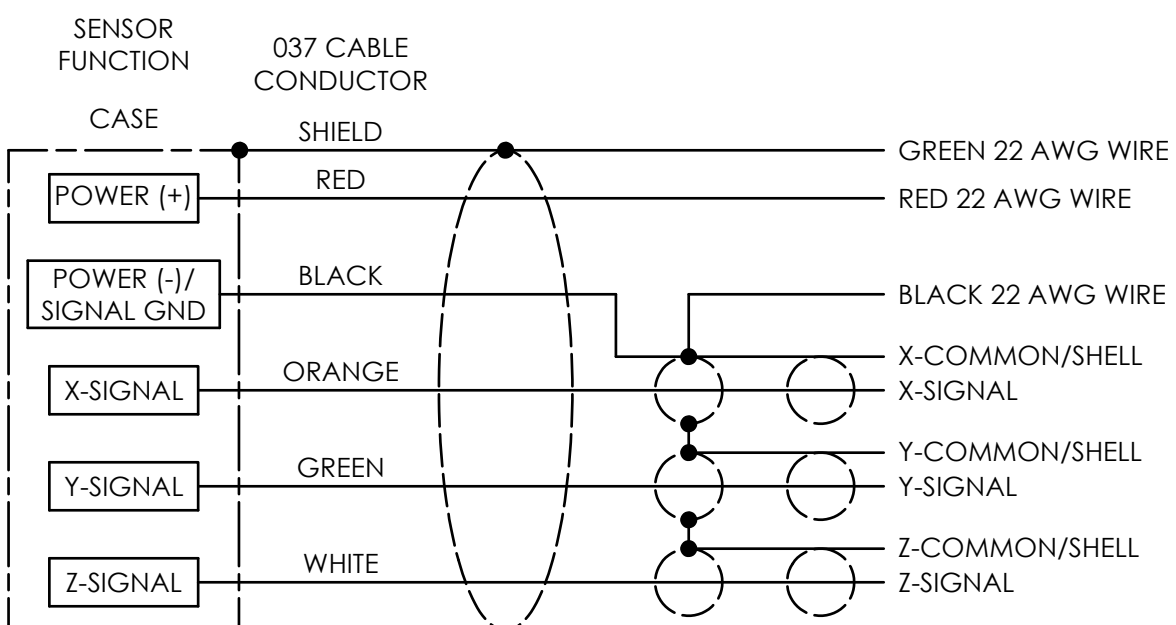
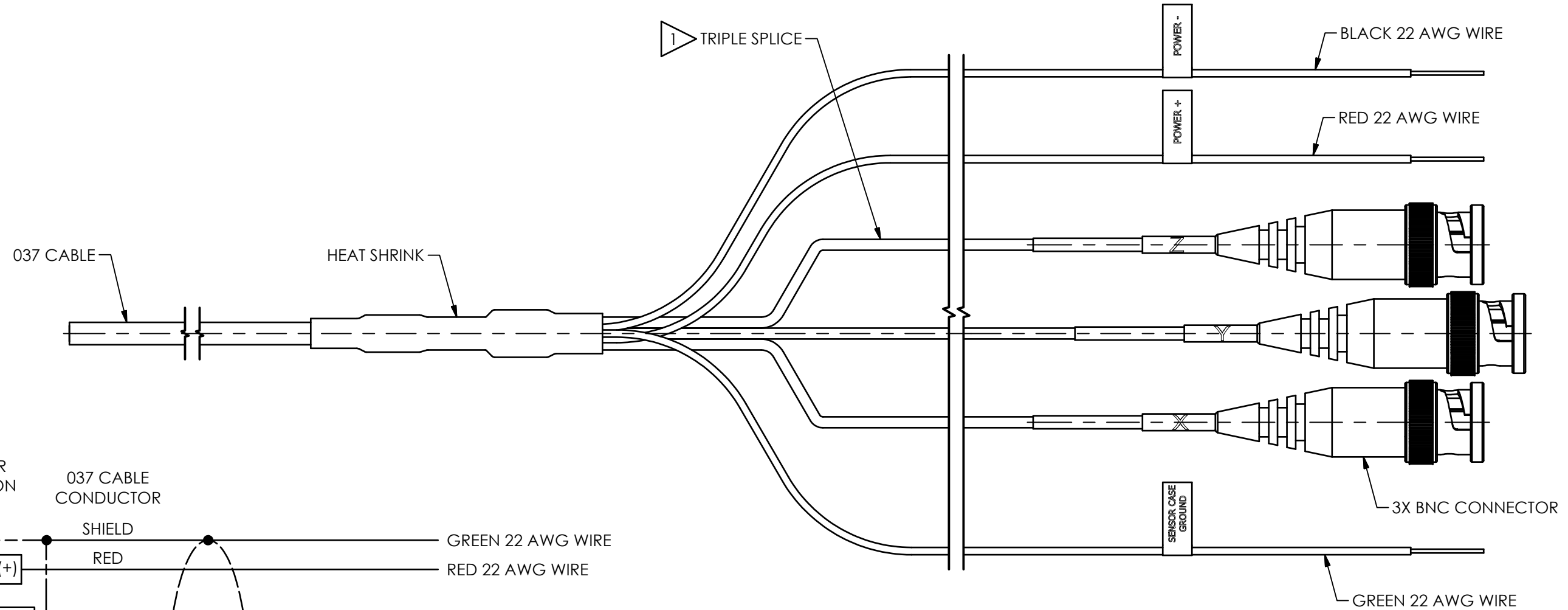


76155

PCB Piezotronics Inc. claims proprietary rights in the information disclosed hereon. Neither it nor any reproduction thereof will be disclosed to others without the written consent of PCB Piezotronics Inc.

REVISIONS		
REV	DESCRIPTION	DIN
NR	RELEASED TO DRAFTING	52580



**SCHEMATIC DIAGRAM**

1 CONSISTS OF THREE (3) BLUE 002 COAXIAL CABLES THAT ARE 1' [.3M] LONG AND TERMINATE IN AN AC CONNECTOR (BNC PLUG)

UNLESS OTHERWISE SPECIFIED TOLERANCES ARE:		DRAWN		CHECKED		ENGINEER	
DIMENSIONS IN INCHES		JJF	4/1/22	JJF	4/1/22	GCD	4/1/22
DECIMALS XX ±.03		TITLE OUTLINE DRAWING 037-SL					
XXX ±.010							
ANGLES ± 2 DEGREES							
CABLE TOLERANCES IN ENGLISH		DIMENSIONS IN MILLIMETERS [IN BRACKETS]					
1" ≤ LENGTH < 1' = +1/16" - 0		DECIMALS X ± 0.8					
1' ≤ LENGTH < 5' = +2" - 0		XX ± 0.25					
5' ≤ LENGTH < 100' = +6" - 0		ANGLES ± 2 DEGREES					
100' ≤ LENGTH = +1' - 0		CABLE TOLERANCES IN METRIC		FILLETES AND RADII			
		2.54cm ≤ LENGTH < 30.5cm = +2.54cm/ - 0		.003 - .005			
		30.5cm ≤ LENGTH < 1.5m = +5.1cm/ - 0		0.07 - 0.13			
		1.5m ≤ LENGTH < 30.5m = +15.2cm/ - 0					
		30.5m ≤ LENGTH = +30.5cm/ - 0					
				CODE IDENT. NO.		DWG. NO.	
				52681		76155	
				SCALE: 1.25X		SHEET 1 OF 1	

**PCB PIEZOTRONICS**  
AN AMPHENOL COMPANY

3425 WALDEN AVE. DEPEW, NY 14043  
(716) 684-0001 E-MAIL: sales@pcb.com