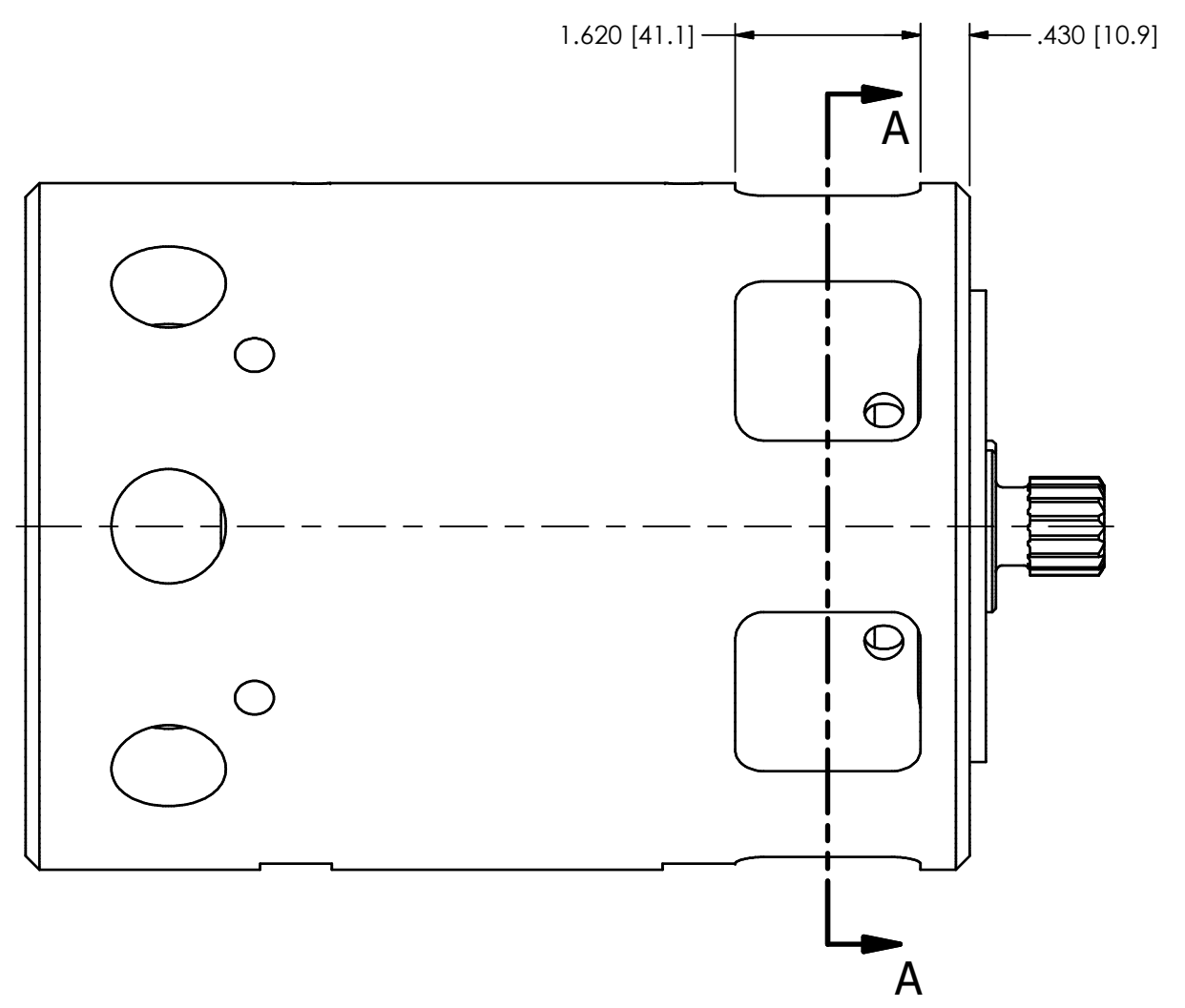
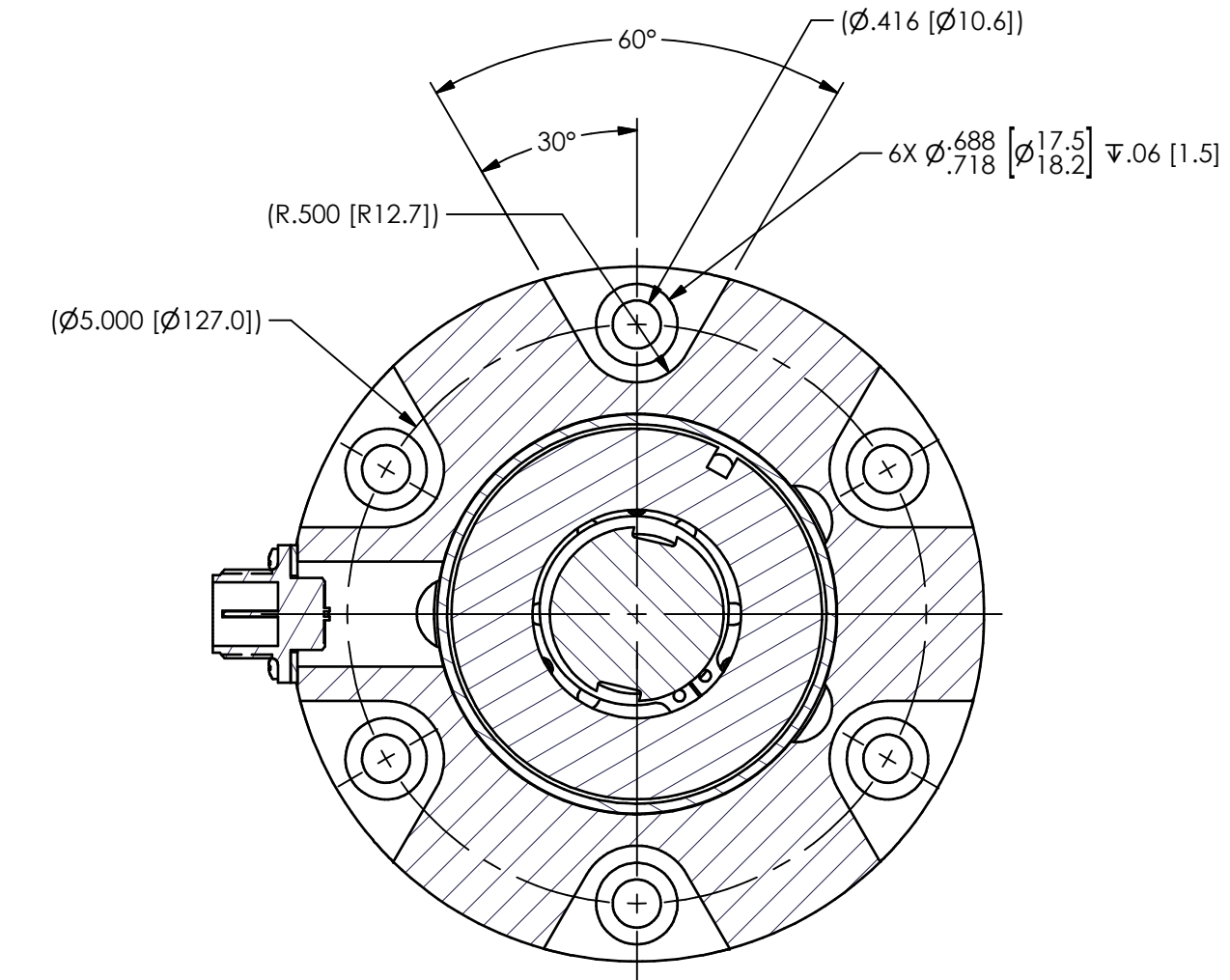
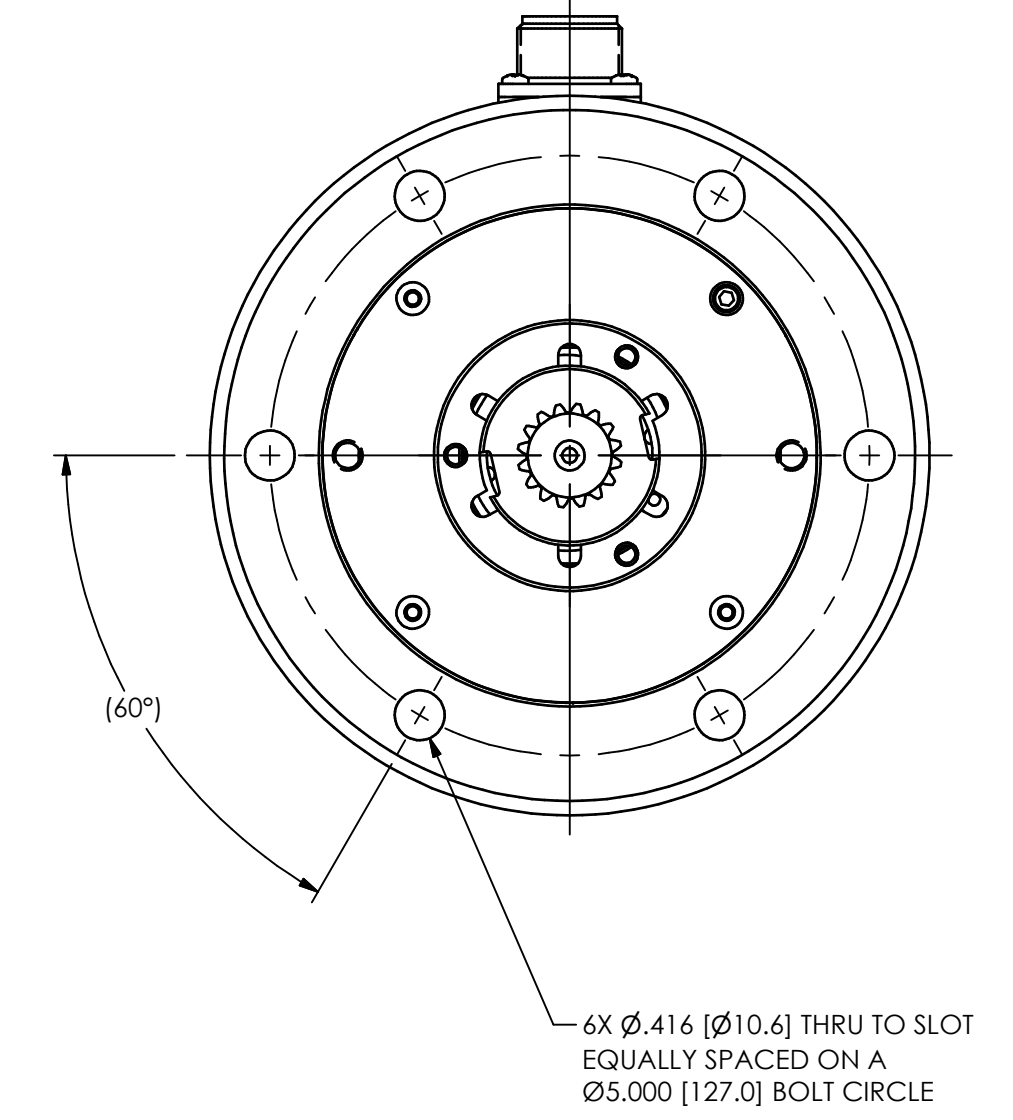
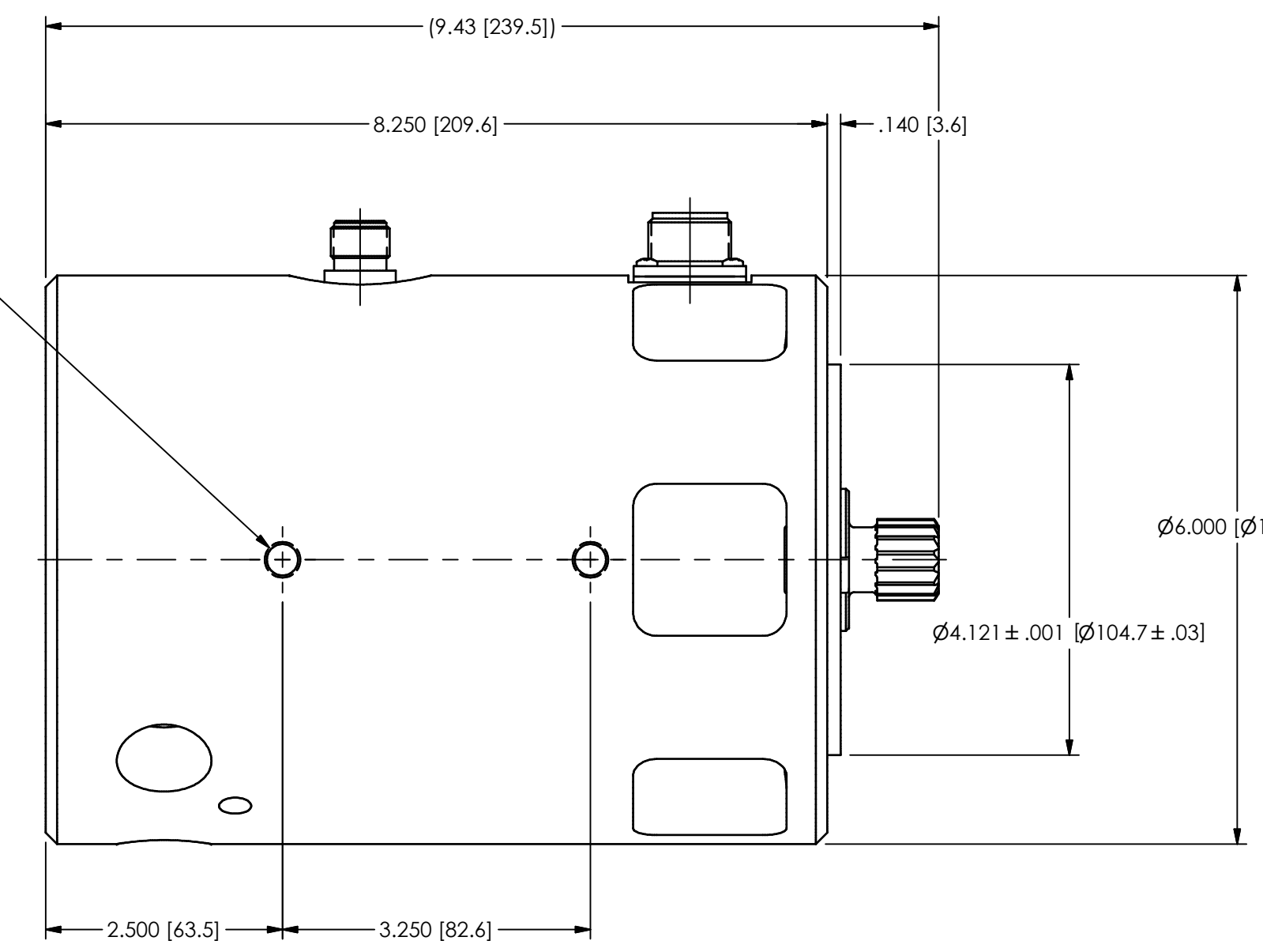
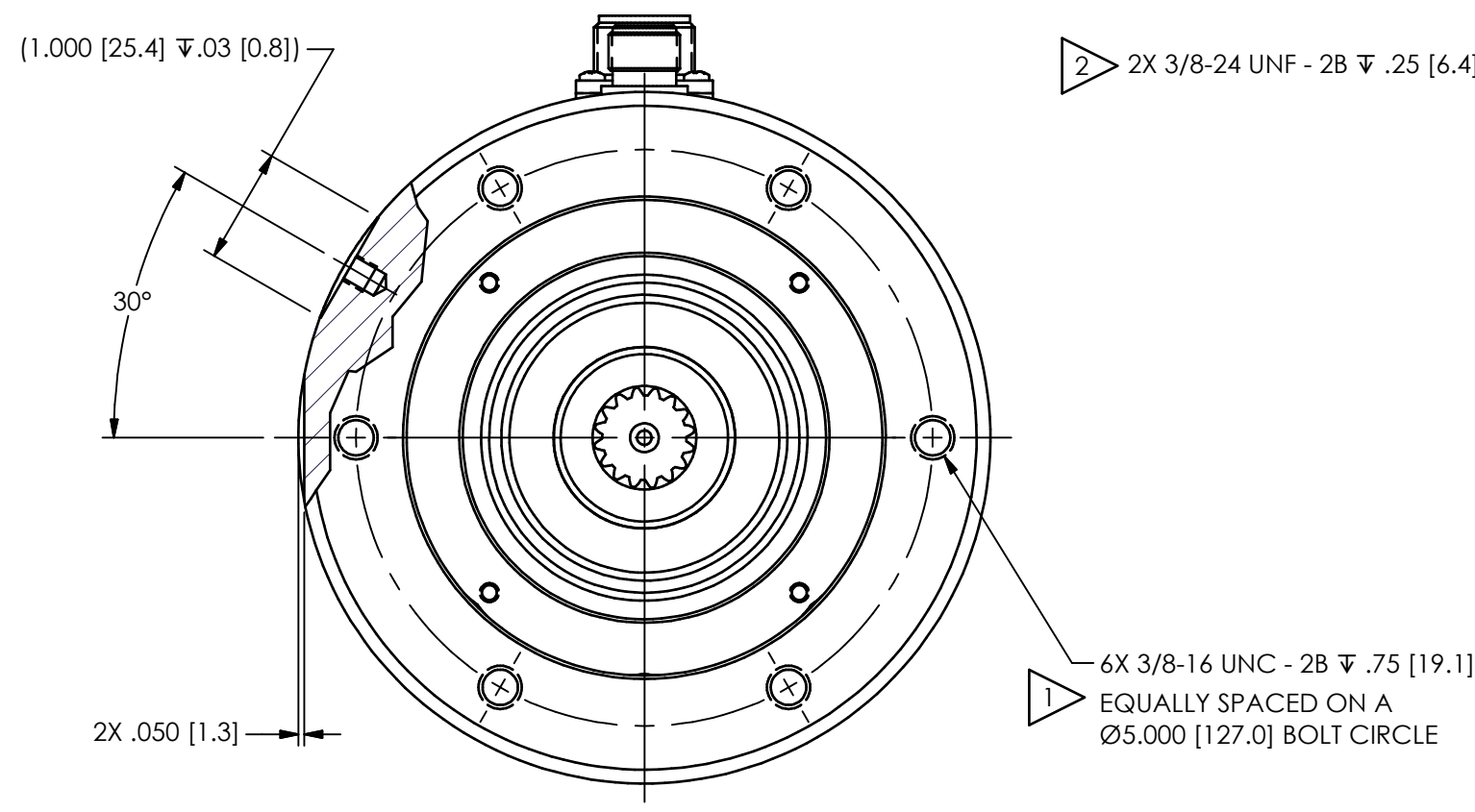
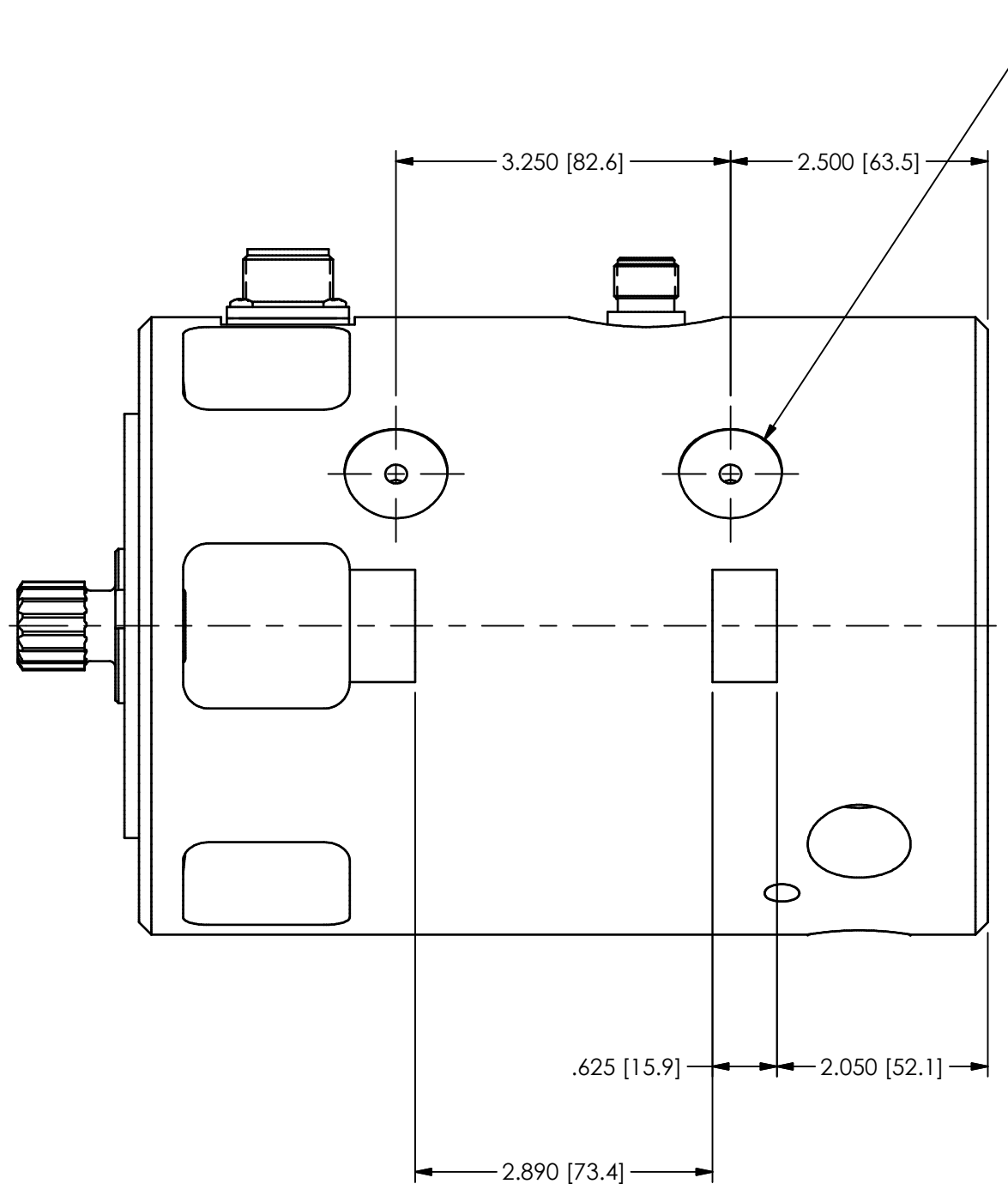
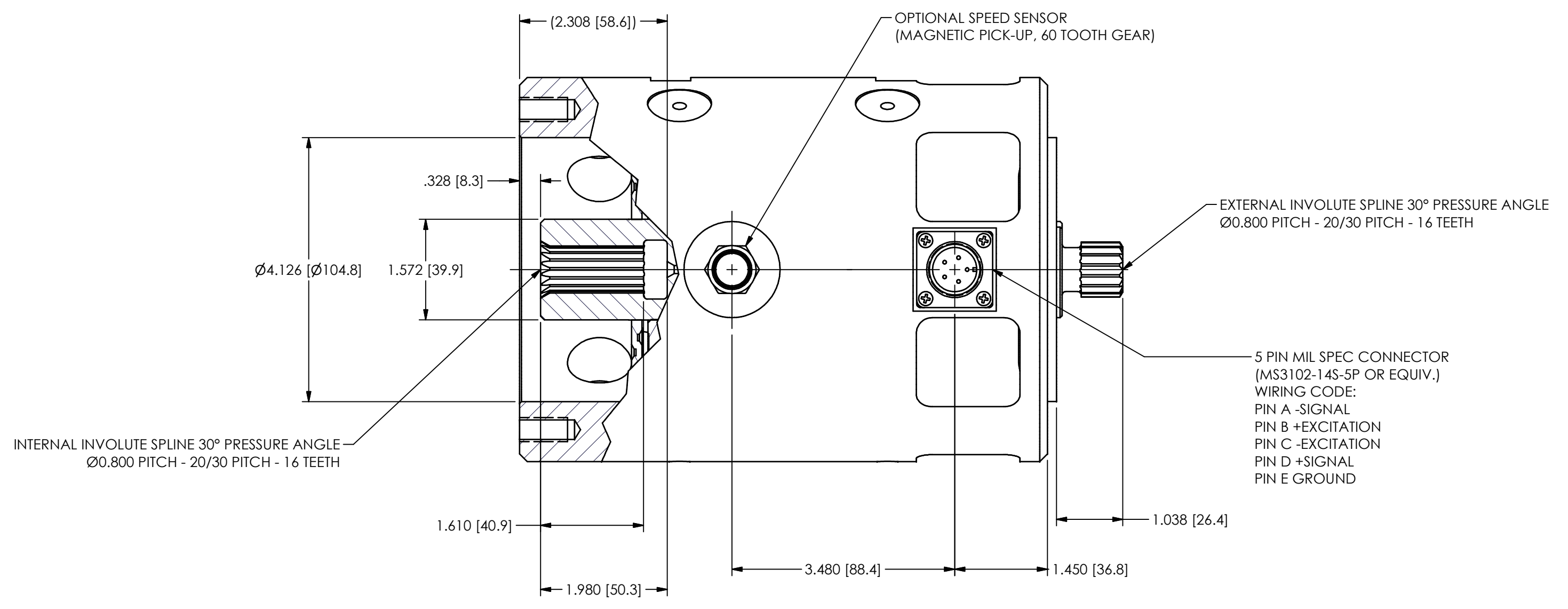
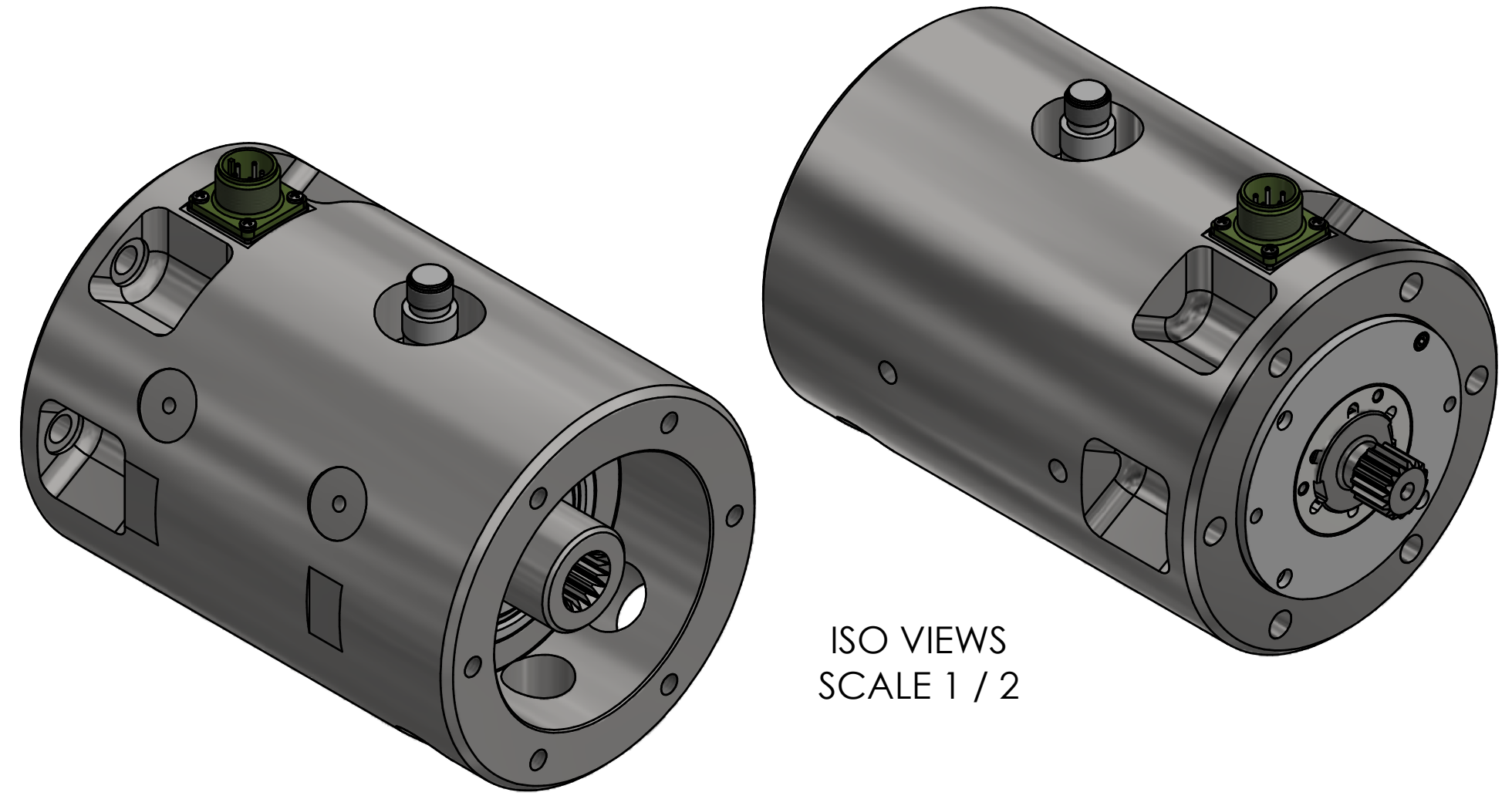


PCB Load & Torque (A Division of PCB Piezotronics, Inc.) claims proprietary rights in the information disclosed hereon. Neither it nor any reproduction thereof will be disclosed to others without the written consent of PCB Load and Torque.

REVISIONS			
REV	DESCRIPTION	DATE	ECO
A	ADDED VIBRATION MONITORING HOLES - 06.02.22, PTE		45387

28730



- NOTES:
- 1 3/8-24 TAPPED HOLES (6) PROVIDED FOR OPTIONAL STUDS
 - 2 3/8-24 TAPPED HOLES (2) PROVIDED FOR OPTIONAL THERMOCOUPLES FOR BEARING TEMPERATURE MONITORING
 - 3 1/4-28 TAPPED HOLES (2) PROVIDED FOR OPTIONAL ACCELEROMETERS FOR VIBRATION MONITORING

SECTION A-A

DIMENSIONS IN INCHES		DIMENSIONS IN MILLIMETERS		DRAWN	CHECKED	ENGINEER	PCB LOAD & TORQUE A PCB GROUP COMPANY
DECIMALS	XX ±.01 XXX ±.005	DECIMALS	X ±0.3 XX ±0.13	PTE	JAM	PTE	
ANGLES ± .5 DEGREES		ANGLES ± .5 DEGREES		TITLE			24350 Indoplex Circle, Farmington Hills, MI 48335 (248) 888-8260 E-MAIL: info@pct.com
FILLET AND RADI Ø15 MAX		FILLET AND RADI 0.38 MAX		OUTLINE DRAWING MODEL 4115A SERIES ROTARY TRANSFORMER			
				SCALE: 5 / 8			SHEET 1 OF 1