

31121

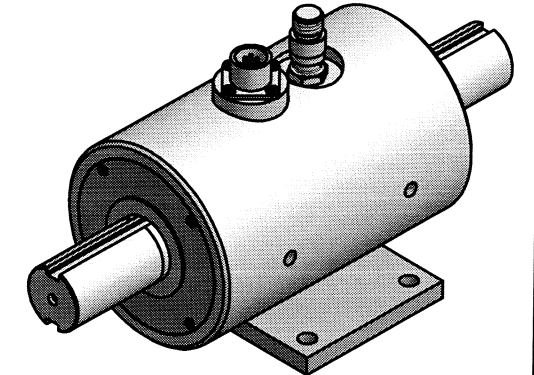
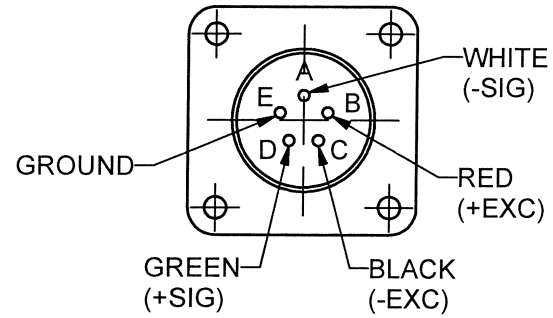
APPLICATION

NEXT ASSY	USED ON	VAR

PCB Piezotronics Inc. claims proprietary rights in the information disclosed hereon. Neither it nor any reproduction thereof will be disclosed to others without the written consent of PCB Piezotronics Inc.

REVISIONS

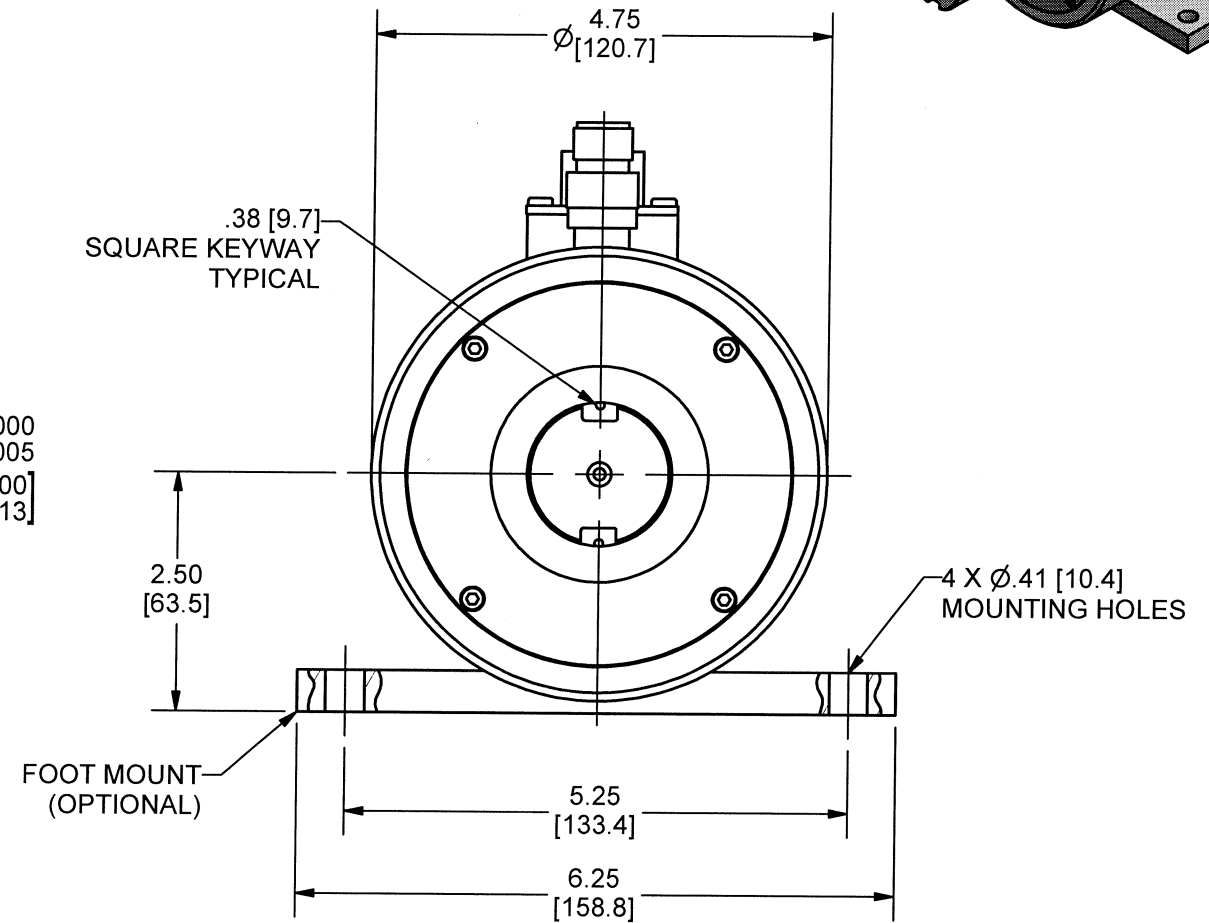
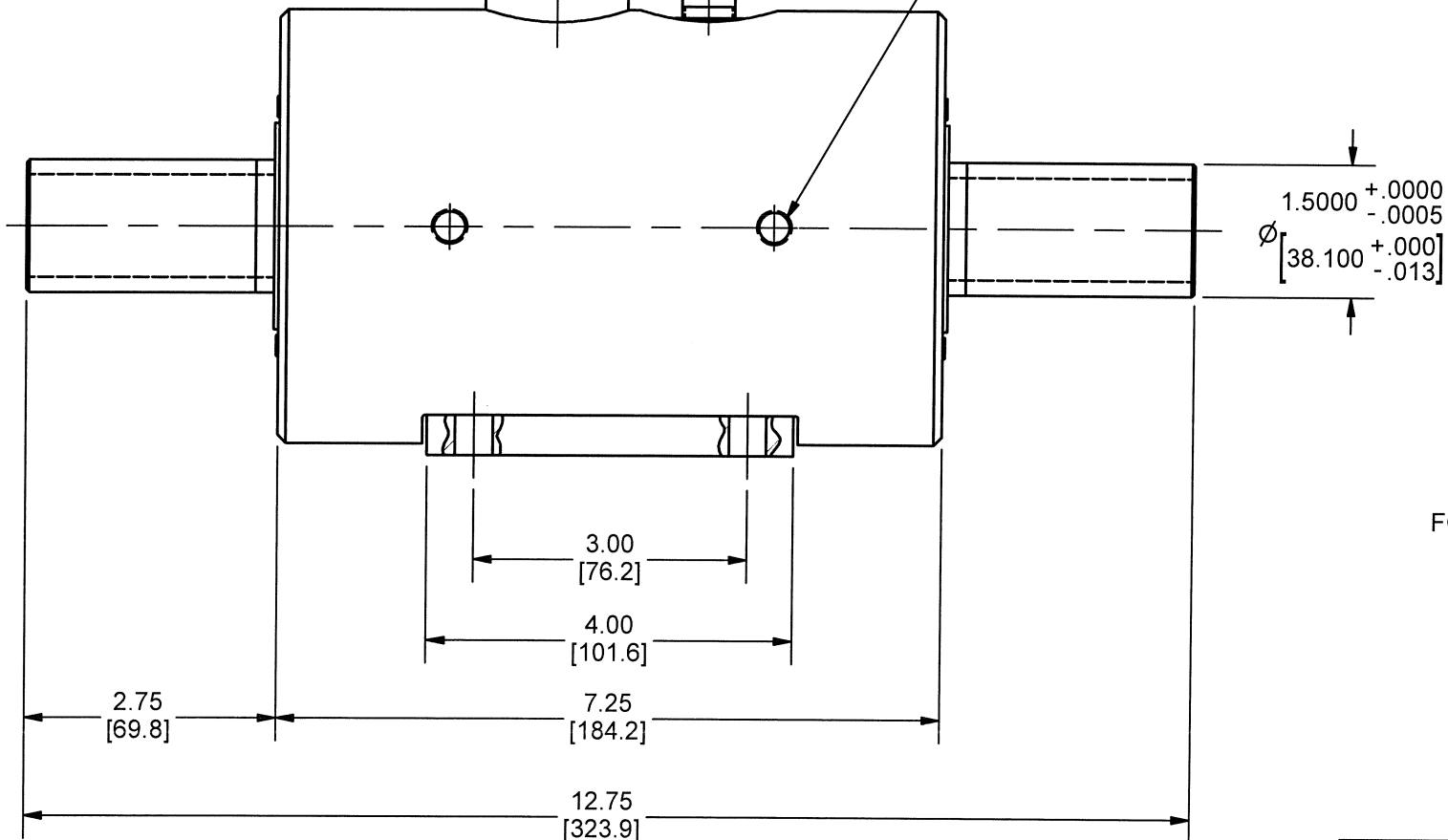
REV	DESCRIPTION	ECN	APP'D
NR	RELEASED TO DRAFTING		dm 7/05



5 PIN CONNECTOR (MS-3102A-14S-5P) MATING CONNECTOR SUPPLIED BUT NOT SHOWN

SPEED SENSOR (OPTIONAL)

2 X 3/8-24 UNF-2A FOR RESTRAINING STRAP OR CAN BE USED FOR THERMOCOUPLES (OPTIONAL)



UNLESS OTHERWISE SPECIFIED TOLERANCES ARE:		DRAWN	7/27/05	MFG	JE	7/27/05	 3425 WALDEN AVE. DEPEW, NY 14043 (716) 684-0001 E-MAIL: sales@pcb.com
DIMENSIONS IN INCHES	DIMENSIONS IN MILLIMETERS [IN BRACKETS]	CHK'D	dm	ENGR	DMB	7/27/05	
DECIMALS XX ± .03 XXX ± .010	DECIMALS X ± 0.8 XX ± 0.25	APP'D	dm	SALES	dm	7/27/05	
ANGLES ± 2 DEGREES	ANGLES ± 2 DEGREES	TITLE		OUTLINE DRAWING		CODE IDENT. NO. 52681	
FILLET AND RADII .003 - .005	FILLET AND RADII [0.07 - 0.13]	MODEL 4105 SERIES ROTATING TRANSFORMER TORQUE SENSOR		DWG. NO. 31121		SCALE: FULL	SHEET 1 OF 1