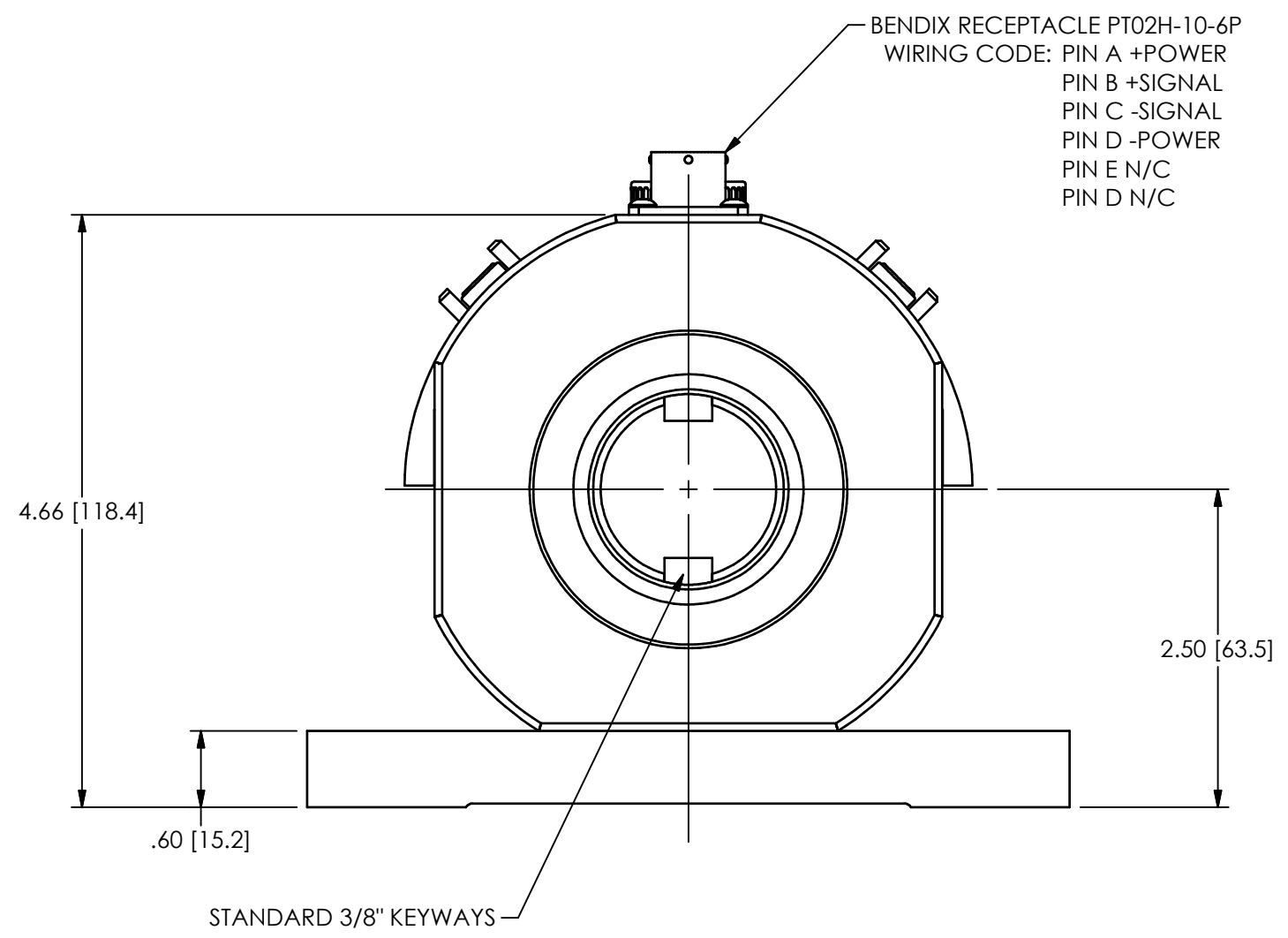
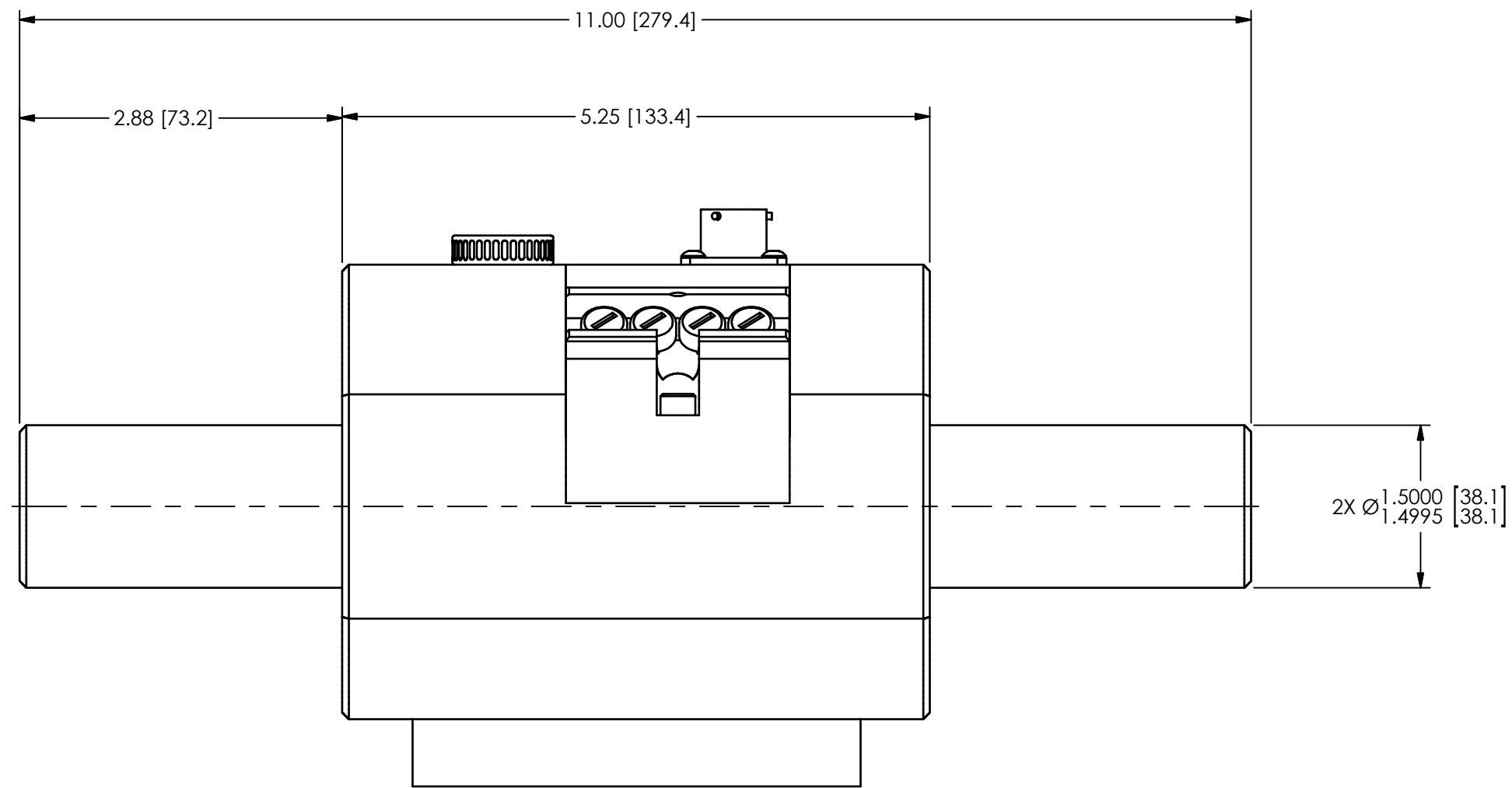
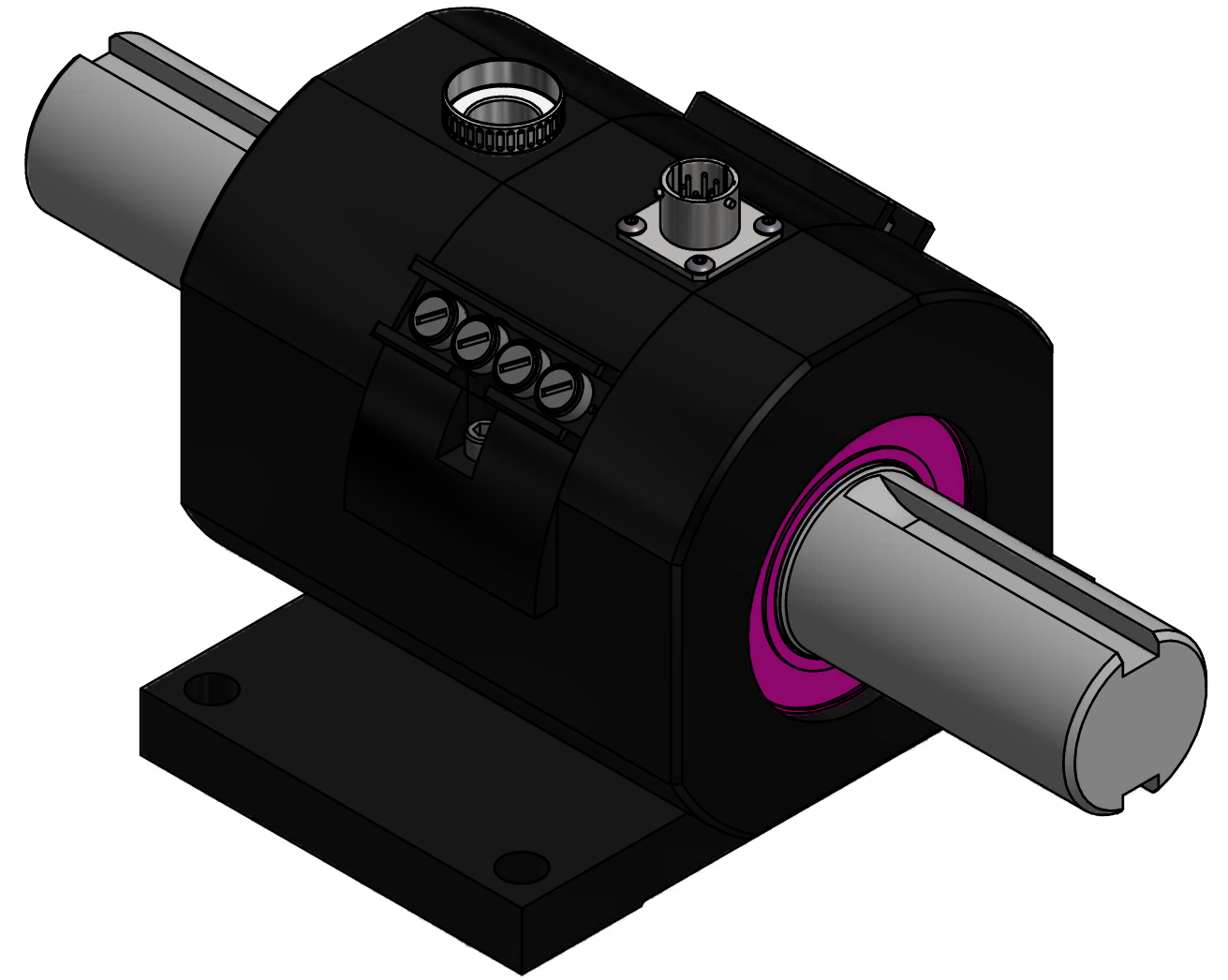
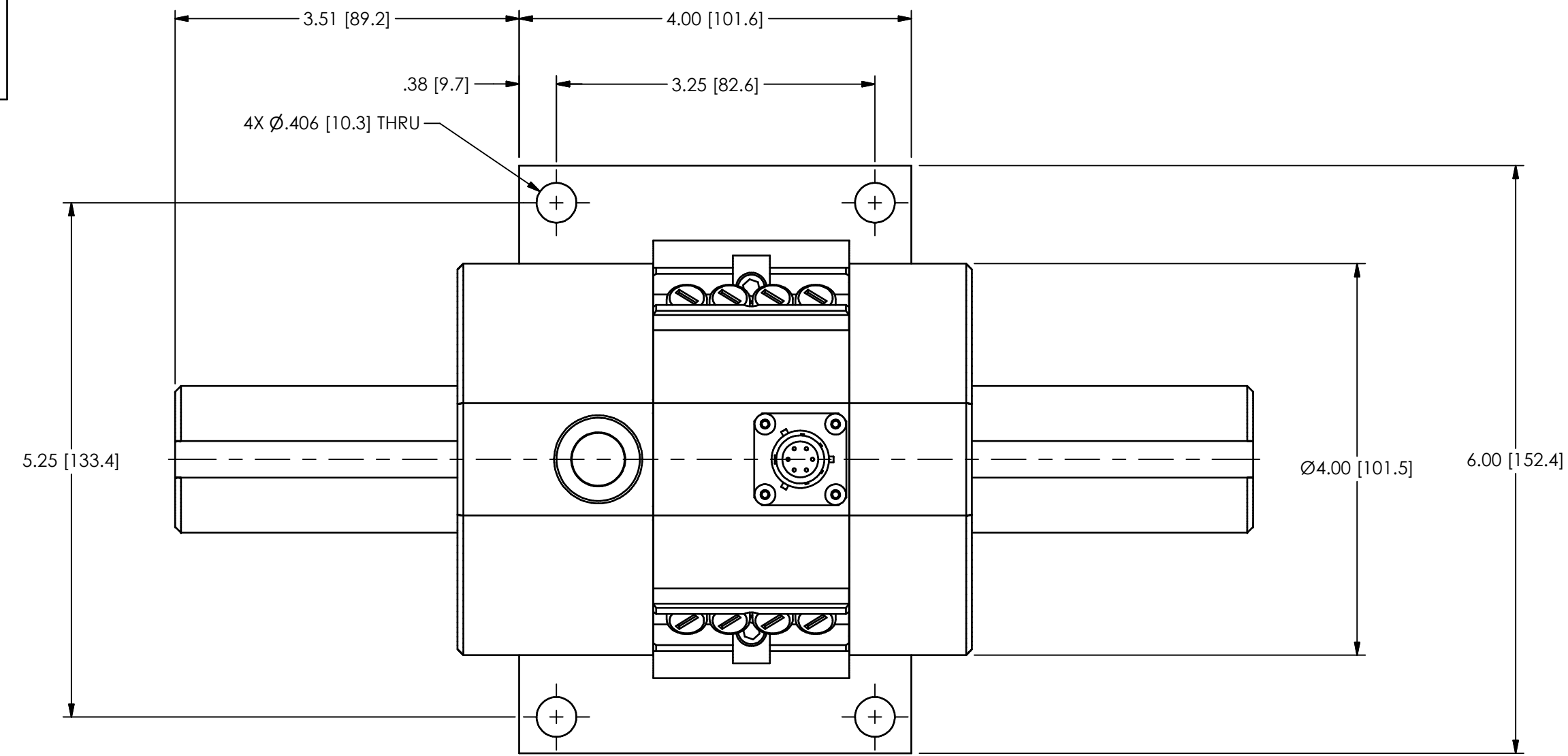


PCB Load & Torque Inc. claims proprietary rights in the information disclosed herein. Neither it nor any reproduction thereof will be disclosed to others without the written consent of PCB Load and Torque Inc.

REVISIONS		
REV	DESCRIPTION	ECO
C	UPDATED HOLE PLUG DESIGN - 04.27.15, PTE	44064

45891



BENDIX RECEPTACLE PT02H-10-6P  
 WIRING CODE: PIN A +POWER  
 PIN B +SIGNAL  
 PIN C -SIGNAL  
 PIN D -POWER  
 PIN E N/C  
 PIN D N/C

UNLESS OTHERWISE SPECIFIED TOLERANCES ARE:		DRAWN		CHECKED		ENGINEER		PCB LOAD & TORQUE A PCB GROUP COMPANY
DIMENSIONS IN INCHES	DIMENSIONS IN MILLIMETERS [IN BRACKETS]	PTE	08.10.12	PTE	08.10.12	PTE	08.10.12	
DECIMALS .XX ±0.01 XXX ±0.005	DECIMALS X ±0.3 XX ±0.13	TITLE OUTLINE DRAWING 3125 SERIES ROTARY SHAFT						24350 Indoplex Circle, Farmington Hills, MI 48335 (716) 684-0001 E-MAIL: <a href="mailto:itinfo@pcbloadtorque.com">itinfo@pcbloadtorque.com</a>
ANGLES ± .5 DEGREES	ANGLES ± .5 DEGREES							DWG. NO. <b>45891</b>
FILLET AND RADII .015 MAX	FILLET AND RADII 0.38 MAX	SCALE: 3/4						SHEET 1 OF 1