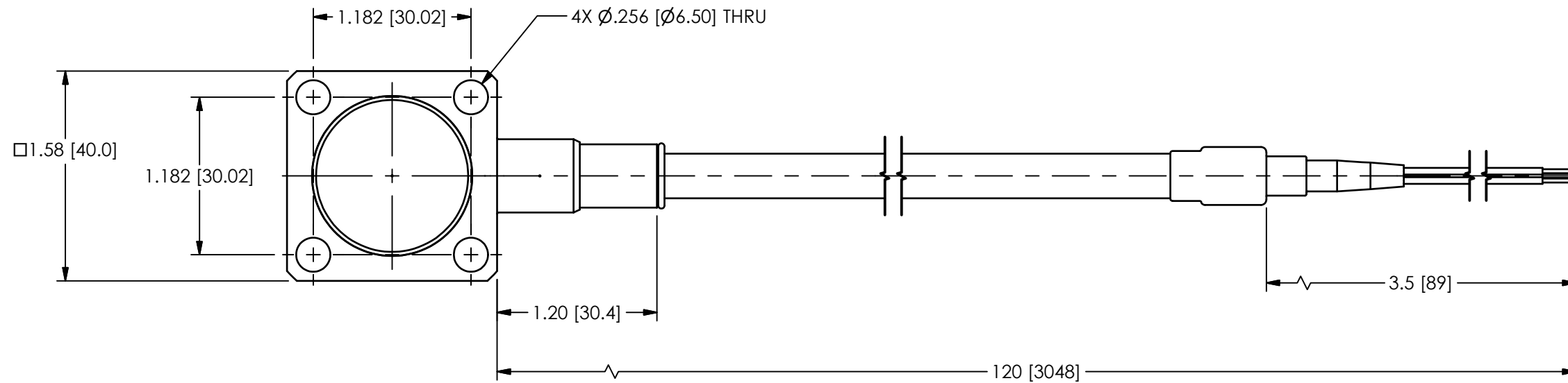


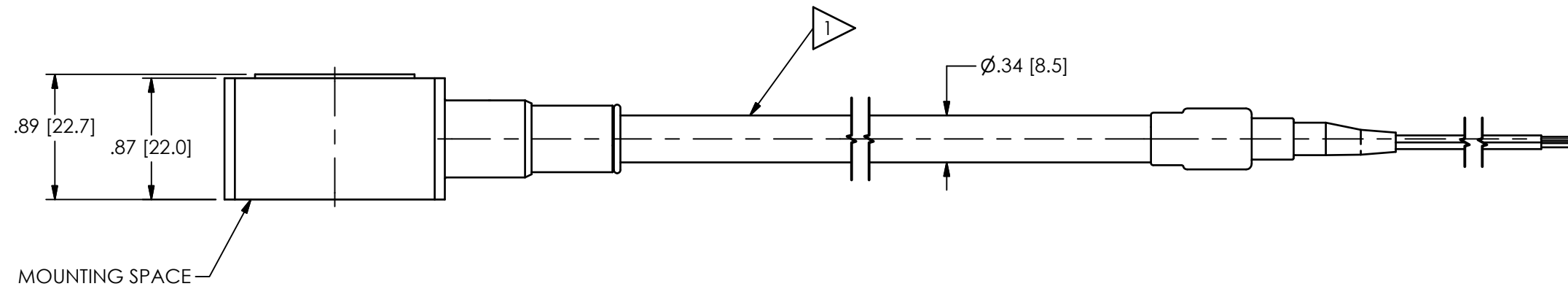
PCB Piezotronics Inc. claims proprietary rights in the information disclosed herein. Neither it nor any reproduction thereof will be disclosed to others without the written consent of PCB Piezotronics Inc.

58201

REVISIONS		
REV	DESCRIPTION	DIN
A	ADDED DELTA NOTE 1	49588



RED WIRE: SIGNAL POSITIVE (+)
 GREEN WIRE: SHIELD
 BLACK WIRE: SIGNAL NEGATIVE (-)



1 FLEXIBLE METAL CONDUIT MINIMUM BEND RADIUS IS 1.125" [28.58]

UNLESS OTHERWISE SPECIFIED TOLERANCES ARE:		DRAWN		CHECKED		ENGINEER	
DIMENSIONS IN INCHES	DIMENSIONS IN MILLIMETERS [IN BRACKETS]	JES	6/4/19	JDM	6/4/19	JJD	6/4/19
DECIMALS XX ±.03 XXX ±.010	DECIMALS X ±0.8 XX ±0.25	TITLE OUTLINE DRAWING MODEL EX615A42 HIGH TEMPERATURE ACCELEROMETER					
ANGLES ± 2 DEGREES	ANGLES ± 2 DEGREES						
FILLETS AND RADII .003 - .005	FILLETS AND RADII 0.07 - 0.13	CODE IDENT. NO. 52681		DWG. NO. 58201		SCALE: FULL SHEET 1 OF 1	

PCB PIEZOTRONICS™
 3425 WALDEN AVE. DEPEW, NY 14043
 (716) 684-0001 E-MAIL: sales@pcb.com