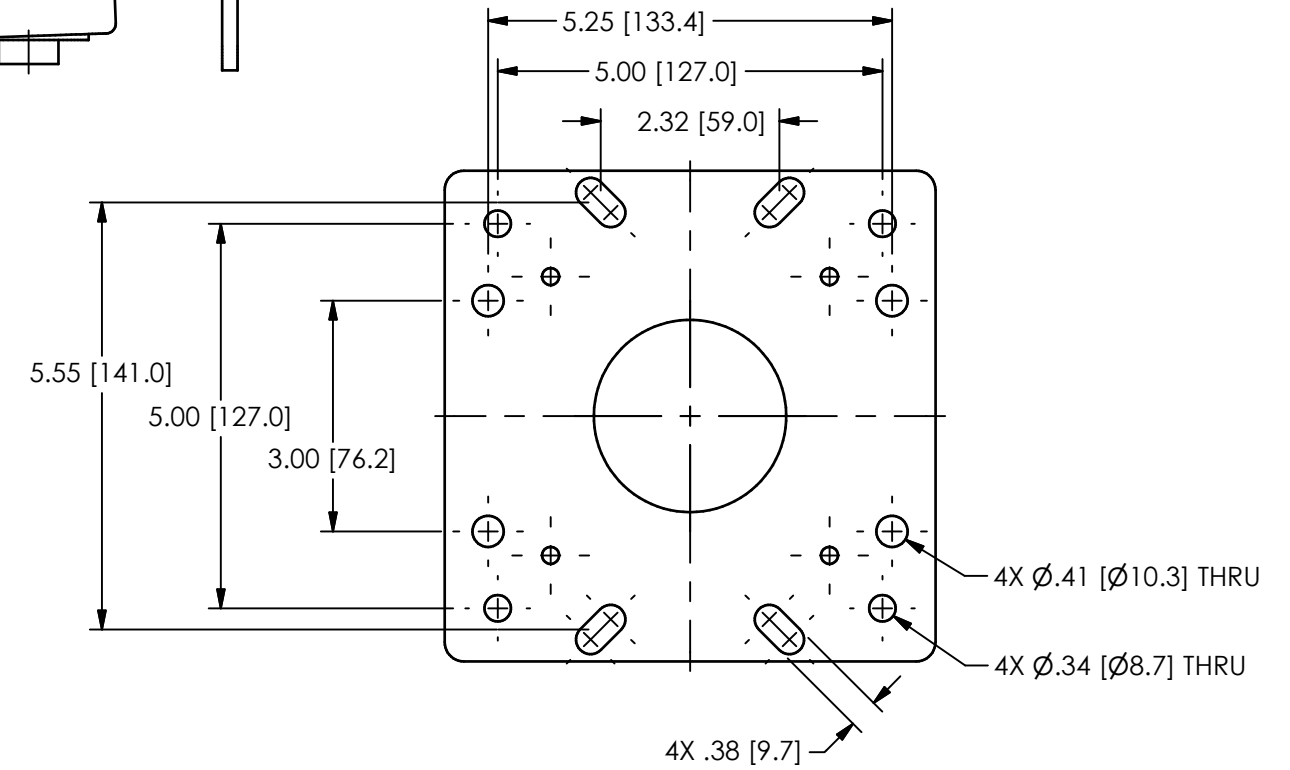
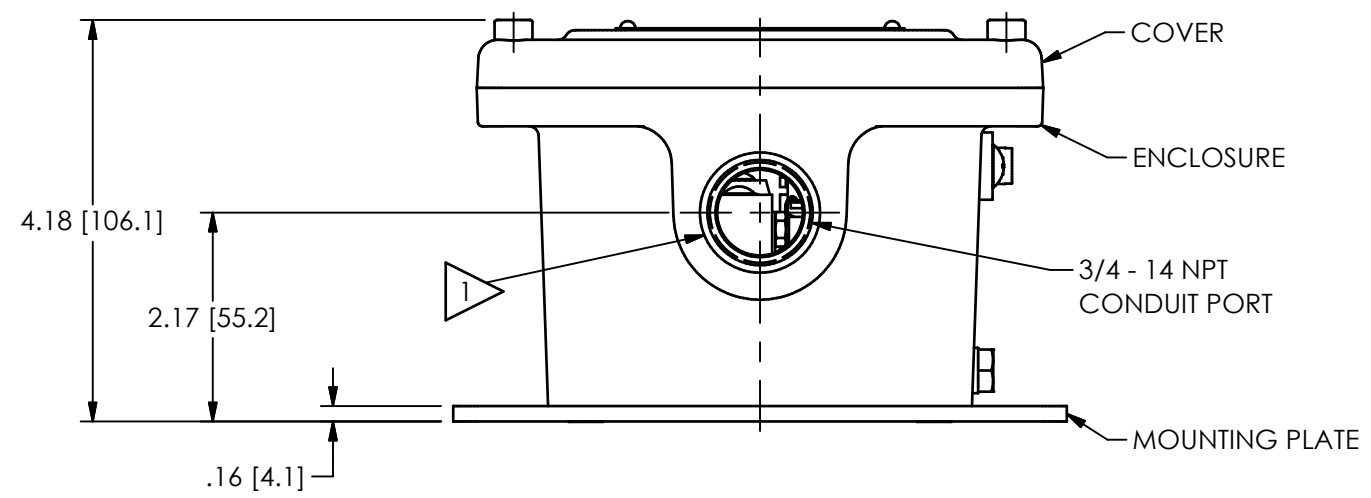
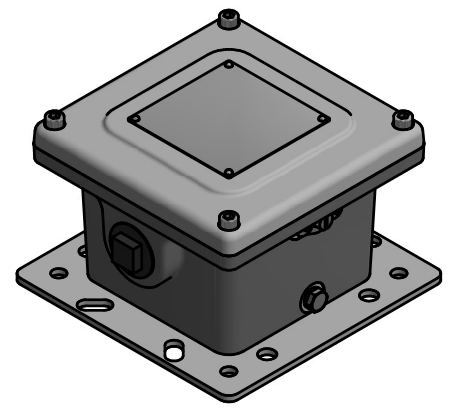
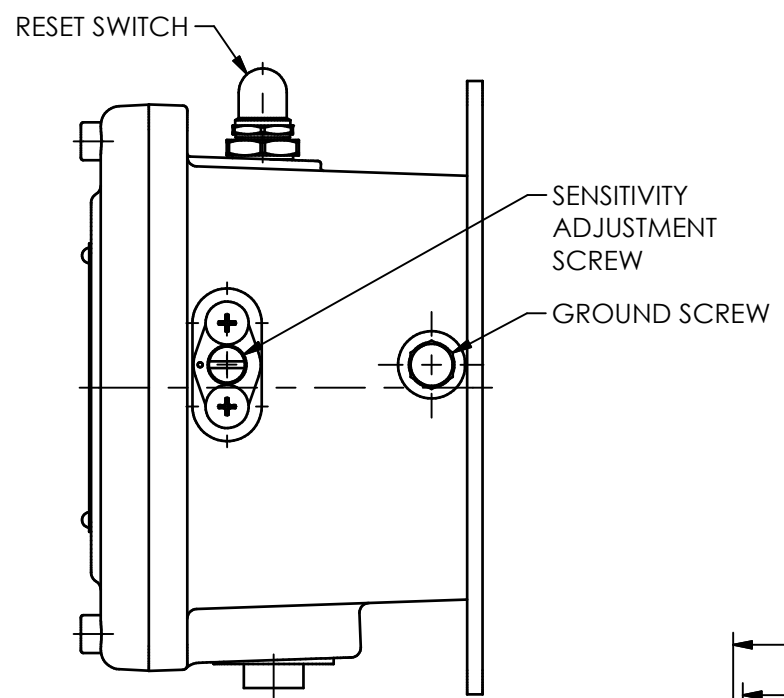
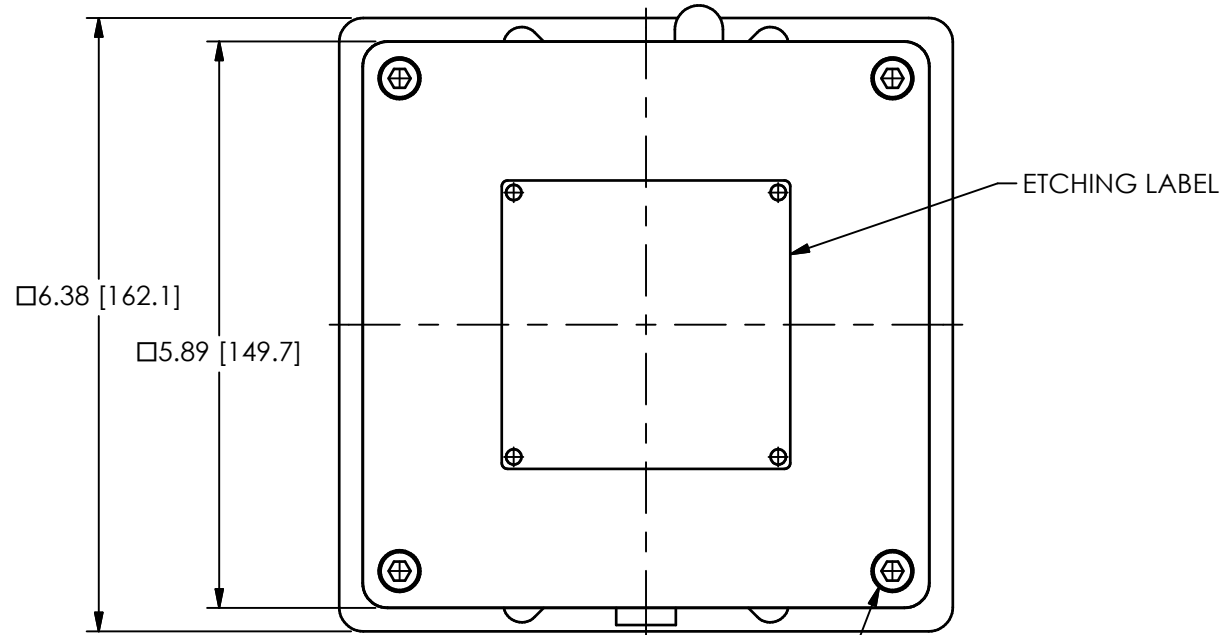


PCB Piezotronics Inc. claims proprietary rights in the information disclosed hereon. Neither it nor any reproduction thereof will be disclosed to others without the written consent of PCB Piezotronics Inc.

77908

REVISIONS		
REV	DESCRIPTION	DIN
NR	RELEASED TO DRAFTING	54129



MOUNTING PLATE DETAIL
SCALE .4X

1 PLUG NOT SHOWN IN VIEW FOR CLARITY

UNLESS OTHERWISE SPECIFIED TOLERANCES ARE:		DRAWN		CHECKED		ENGINEER	
DIMENSIONS IN INCHES		NJF	12/13/23	JDM	12/13/23	LAB	12/13/23
DECIMALS XX ±.03 XXX ±.010		TITLE					
ANGLES ± 2 DEGREES							
DIMENSIONS IN MILLIMETERS [IN BRACKETS]		OUTLINE DRAWING MECHANICAL VIBRATION SWITCH EX685A09, A19, A29, A39					
DECIMALS X ± 0.8 XX ± 0.25							
ANGLES ± 2 DEGREES		PCB PIEZOTRONICS AN AMPHENOL COMPANY 3425 WALDEN AVE. DEPEW, NY 14043 (716) 684-0001 E-MAIL: sales@pcb.com					
CABLE TOLERANCES IN ENGLISH							
CABLE TOLERANCES IN METRIC		CODE IDENT. NO. 52681		SHEET B		DWG. NO. 77908	
FILLETS AND RADII .003 - .005		SCALE: .5X		SHEET 1 OF 1			