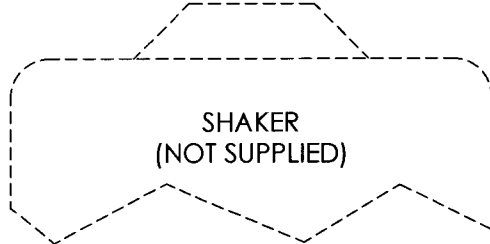
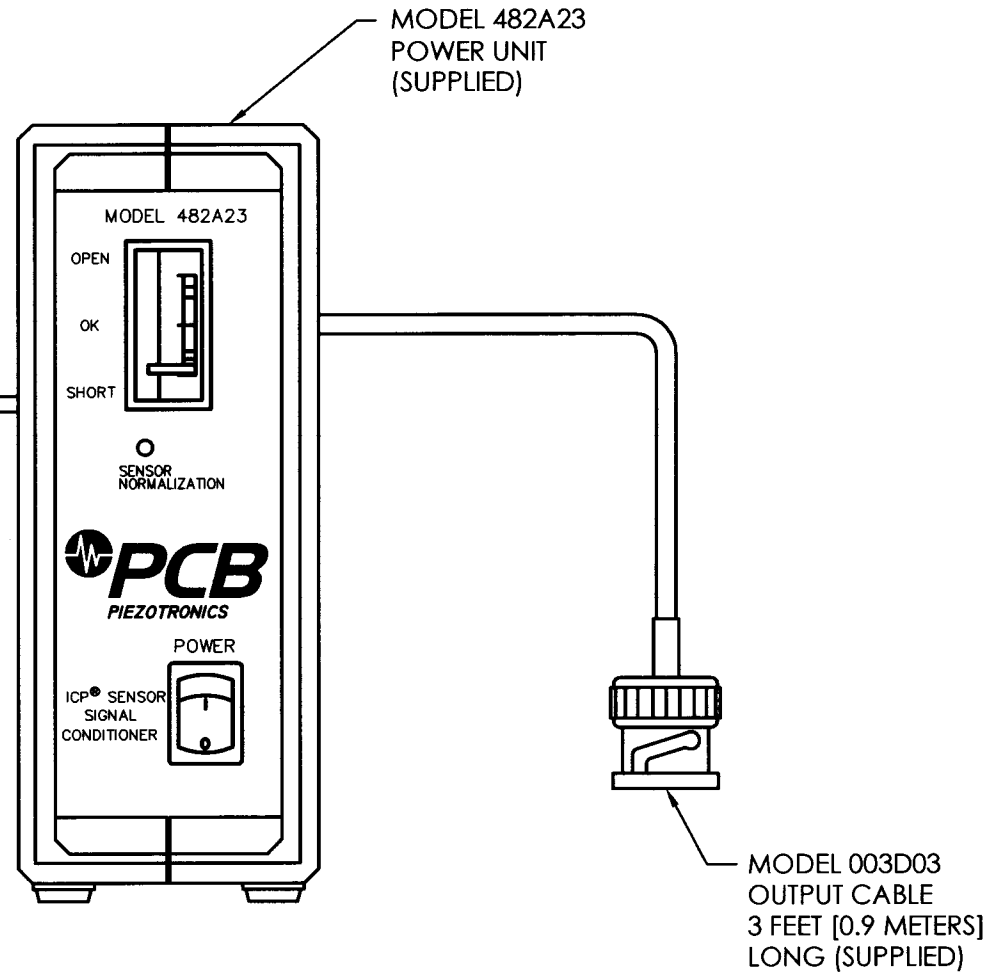
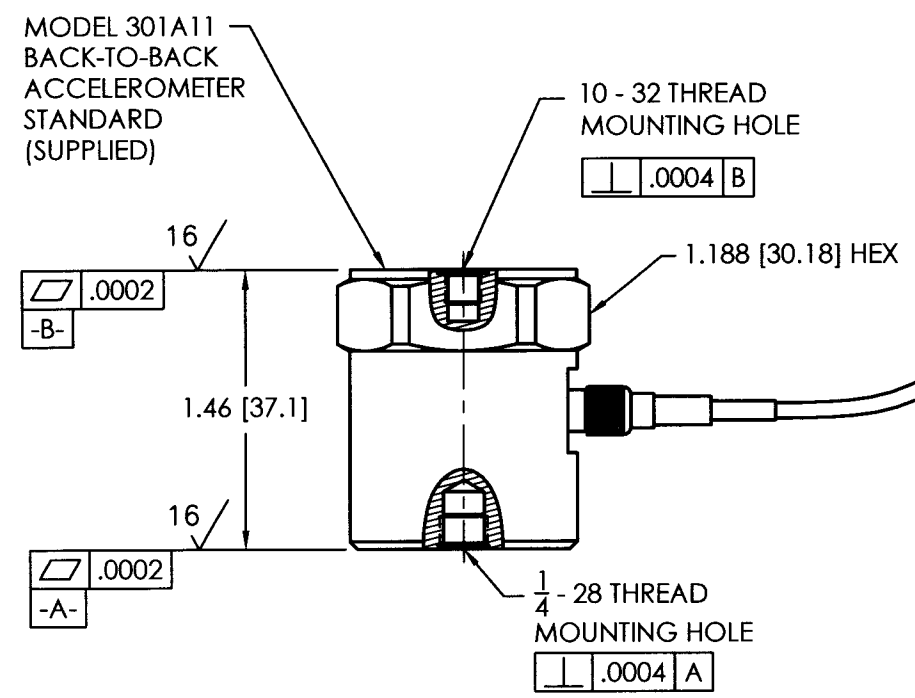


APPLICATION		
NEXT ASS'Y	USED ON	VAR

PCB Piezotronics Inc. claims proprietary rights in the information disclosed hereon. Neither it nor any reproduction thereof will be disclosed to others without written consent of PCB Piezotronics Inc.

REVISIONS					
ZONE	REV	DESCRIPTION	ECN	DATE	APP'D
	C	CHANGED MODEL NUMBER	11809	5/1/00	DM
	D	UPDATED TO MEET ISO 16063-21 SPECS	24050	4/10/06	DM 4/06

MOUNTING STUD TABLE	
MODEL	THREAD
081B05	10-32 TO 10-32
081A90	10-32 TO 5-40
081B20	1/4-28 TO 1/4-28
081A08	10-32 TO 1/4-28
M081B20	1/4-28 TO M6 X 0.75
M081B05	10-32 TO M6 X 0.75
MOUNTING ADAPTOR	
080A149	10-32 TO 5-40
M080A149	10-32 TO M3 X 0.50



2.) SUPPLIED WITH MODEL 488A04, EXTERNAL AC POWER (NOT SHOWN)
 TWO OF EACH MOUNTING STUD SUPPLIED.

UNLESS SPECIFIED TOLERANCES		DRAWN	MFG	PCB PIEZOTRONICS™	
DIMENSIONS IN INCHES	DIMENSIONS IN MILLIMETERS [IN BRACKETS]	CHK'D	ENGR	3425 WALDEN AVE. DEPEW, NY 14043	
DECIMALS XX ±.03 XXX ±.010 ANGLES ±2 DEGREES	DECIMALS X ±0.8 XX ±0.25 ANGLES ±2 DEGREES	APP'D	SALES	(716) 684-0001 EMAIL: SALES@PCB.COM	
FILLETS AND RADII .003 - .005	FILLETS AND RADII [0.07 - 0.13]	TITLE OUTLINE DRAWING MODEL 394A11 CALIBRATION SYSTEM		CODE IDENT. NO. 52681	DWG. NO. 11312
				SCALE: FULL	SHEET 1 OF 1