

13365

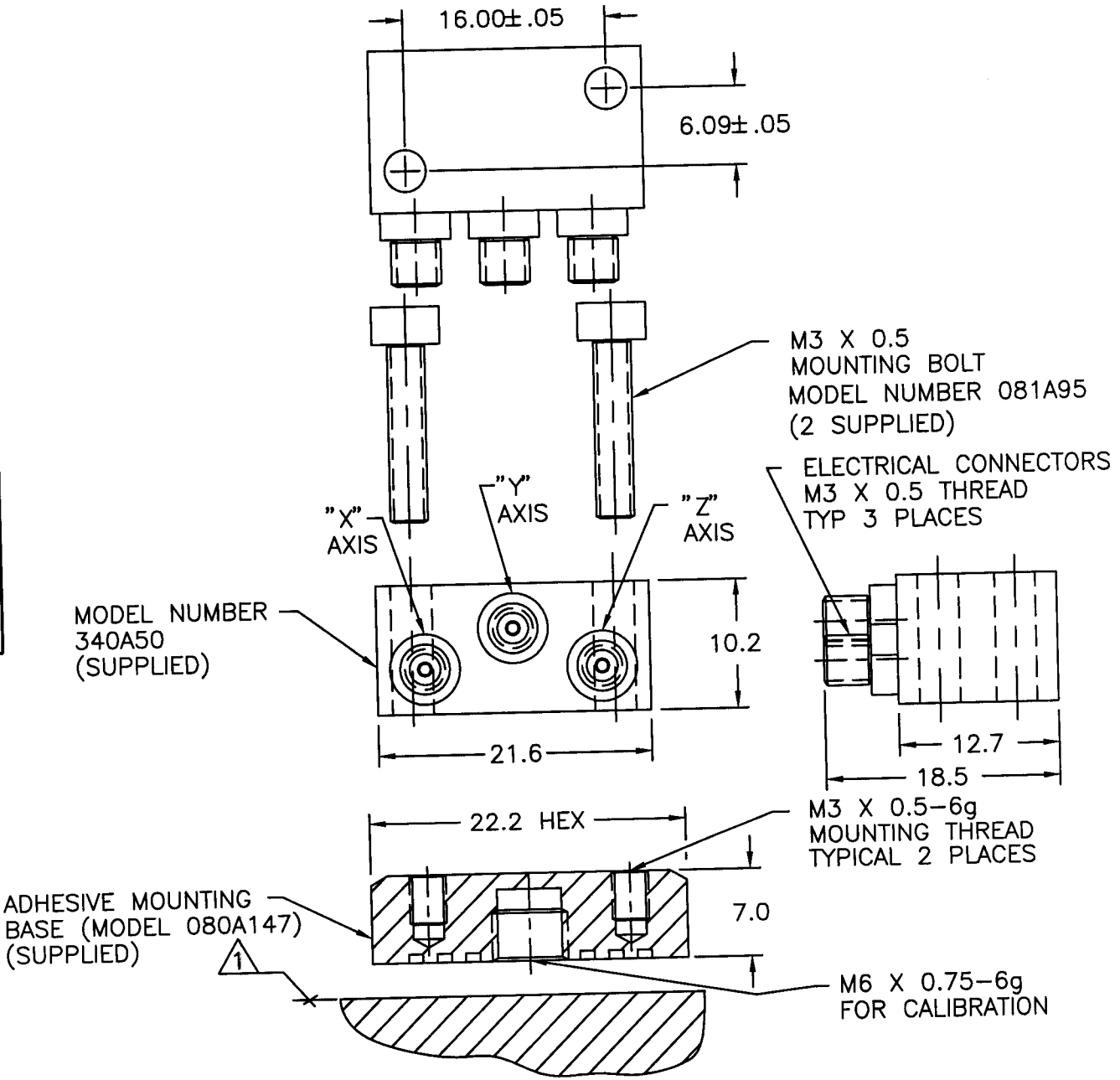
PCB Piezotronics Inc. claims proprietary rights in the information disclosed hereon. Neither it nor any reproduction thereof will be disclosed to others without written consent of PCB Piezotronics Inc.

APPLICATION

NEXT ASS'Y	USED ON	VAR

REVISIONS

REV	DESCRIPTION	ECN	DATE	APP'D
A	ADD TOP VIEW	11846	5/12/00	<i>pm/slo</i>



- 3.) FOR SEMI-PERMANENT MOUNTING USE QUICK BONDER (080A90) OR EQUIVALENT.
- 2.) FOR TEMPORARY MOUNTING APPLICATIONS, USE PETRO WAX (MODEL 080A109). APPLY APPROXIMATELY 45 NEWTONS OF FORCE TO TOP OF ACCELEROMETER CREATING A THIN BUT HOMOGENEOUS LAYER OF WAX.

⚠️ RECOMMENDED MOUNTING SURFACE SHOULD BE FLAT TO WITHIN 0.08 TIR OVER Ø25.0 WITH A 0.8/ FINISH FOR BEST RESULTS.

UNLESS SPECIFIED TOLERANCES DIMENSIONS IN MILLIMETERS DECIMALS XX ±0.3 XXX ±0.13 ANGLES ±2 DEGREES FILLETS AND RADII 0.07 - 0.13	DD011 REV. B 03/13/98	DRAWN <i>DM</i> <i>5/2/00</i>	MFG <i>AL</i> <i>5/2/00</i>		
		CHK'D <i>DM</i> <i>5/2/00</i>	ENGR <i>MS</i> <i>5/2/00</i>	3425 WALDEN AVE. DEPEW, NY 14043 (716) 684-0001 EMAIL: SALES@PCB.COM	
		APP'D <i>3/11/00</i> <i>5/2/00</i>	SALES <i>CSA</i> <i>5/2/00</i>	CODE IDENT. NO. 52681	DWG. NO. 13365

INSTALLATION DRAWING  
MODEL 340A50  
ACCELEROMETER