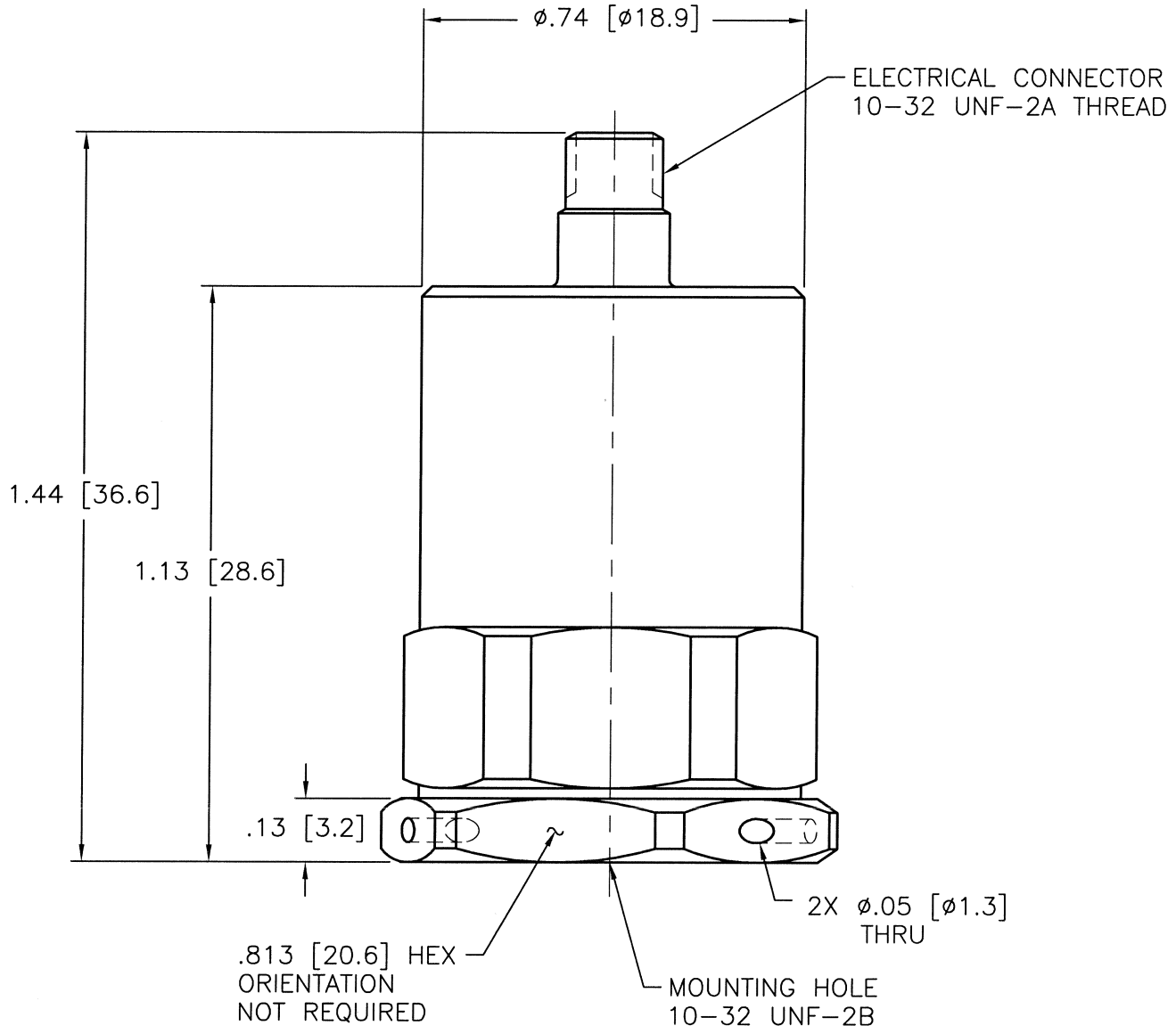


30563

PCB Piezotronics Inc. claims proprietary rights in the information disclosed hereon. Neither it nor any reproduction thereof will be disclosed to others without written consent of PCB Piezotronics Inc.

| APPLICATION | | |
|-------------|---------|-----|
| NEXT ASS'Y | USED ON | VAR |
| | | |

| REVISIONS | | | | |
|-----------|----------------------|-----|----------|-----------|
| REV | DESCRIPTION | ECN | DATE | APP'D |
| NR | RELEASED TO DRAFTING | | 10/17/05 | <i>EB</i> |



| UNLESS SPECIFIED TOLERANCES | | DRAWN | | | | MFG | | PCB PIEZOTRONICS INC. | |
|-------------------------------|---|---------------------|-----------------|------------------|-----------------|---|----------|-----------------------|--|
| DIMENSIONS IN INCHES | DIMENSIONS IN MILLIMETERS [IN BRACKETS] | <i>EMS</i> | <i>10/17/05</i> | <i>DAM</i> | <i>10/17/05</i> | 3425 WALDEN AVE. DEPEW, NY 14043 (716) 684-0001 EMAIL: SALES@PCB.COM | | | |
| DECIMALS XX ±.03 XXX ±.010 | DECIMALS X ±0.8 XX ±0.25 | CHK'D <i>ECB</i> | <i>10/17/05</i> | ENGR <i>EMS</i> | <i>10/17/05</i> | CODE | DWG. NO. | 30563 | |
| ANGLES ±2 DEGREES | ANGLES ±2 DEGREES | APP'D <i>MB</i> | <i>10/18/05</i> | SALES <i>MRA</i> | <i>10/17/05</i> | IDENT. NO. | 52681 | | |
| FILLETS AND RADII .003 - .005 | FILLETS AND RADII [0.07 - 0.13] | TITLE | | | | OUTLINE DRAWING | | SCALE: 3X | |
| | | MODEL 357B54 SERIES | | | | SHEET 1 OF 1 | | | |
| | | ACCELEROMETER | | | | | | | |